

JET

JBS-22

BRUSH SANDER

Original:

GB

Operating Instructions

Translations:

D

Gebrauchsanleitung

F

Mode d'emploi



Walter Meier (Tool) AG

Tämperlistrasse 5

CH-8117 Fällanden

Switzerland

Phone +41 44 806 47 48

Fax +41 44 806 47 58

jetinfo.eu@waltermeier.com

www.jettools.com



M-649006M

2010-08-24

CE-Conformity Declaration

Product: Brush Sander

JBS-22

Stock Number: 649006M

Brand: JET

Manufacturer:

Walter Meier (Tool) AG, Tämperlistrasse 5, CH-8117 Fällanden, Switzerland

On our own responsibility we hereby declare that this product complies
with the regulations

- * 2006/42/EC Machinery Directive
- * 2004/108/EC EMC Directive (Electro Magnetic Compatibility)
- * 2006/95/EC Low Voltage Directive
- * 2002/95/EC RoHS Directive (Reduction of Hazardous Substances)

designed with consideration of the standards

** EN ISO 12100-1, EN ISO 12100-2, EN ISO 13857, EN 349, EN 953,
EN 60204-1, EN ISO 11202, EN 55011, EN 61000-6-3, EN 55014-2, EN ISO 14121-1

Technical file compiled by: Bruno Bergmann, Product Management



2010-08-24 Carl Müller, General Manager

Walter Meier (Tool) AG, Tämperlistrasse 5, CH-8117 Fällanden, Switzerland

GB - ENGLISH

Operating Instructions

Dear Customer,

Many thanks for the confidence you have shown in us with the purchase of your new JET-machine. This manual has been prepared for the owner and operators of a **JET JBS-22 brush sander** to promote safety during installation, operation and maintenance procedures. Please read and understand the information contained in these operating instructions and the accompanying documents. To obtain maximum life and efficiency from your sander, and to use the machine safely, read this manual thoroughly and follow instructions carefully.

...Table of Contents

1. Declaration of conformity

2. Warranty

3. Safety

Authorized use
General safety notes
Remaining hazards

4. Machine specifications

Technical data
Workpiece dimensions
Noise emission
Contents of delivery
Machine description

5. Transport and start up

Transport and installation
Assembly
Mains connection
Dust connection
Starting operation

6. Machine operation

7. Setup and adjustments

Selecting brush grit
Changing the brush-drum
Brush-drum alignment
Brush dressing
Feed-roller adjustment
Conveyor belt tensioning
Conveyor belt tracking
Conveyor belt changing
V-belt tensioning
V-belt replacement

8. Maintenance and inspection

9. Trouble shooting

10. Environmental protection

11. Available accessories

1. Declaration of conformity

On our own responsibility we hereby declare that this product complies with the regulations* listed on page 2. Designed in consideration with the standards**.

2. Warranty

The Seller guarantees that the supplied product is free from material defects and manufacturing faults. This warranty does not cover any defects which are caused, either directly or indirectly, by incorrect use, carelessness, accidental damage, repair, inadequate maintenance or cleaning and normal wear and tear.

Guarantee and/or warranty claims must be made within twelve months from the date of purchase (date of invoice). Any further claims shall be excluded.

This warranty includes all guarantee obligations of the Seller and replaces all previous declarations and agreements concerning warranties.

The warranty period is valid for eight hours of daily use. If this is exceeded, the warranty period shall be reduced in proportion to the excess use, but to no less than three months.

Returning rejected goods requires the prior express consent of the Seller and is at the Buyer's risk and expense.

Further warranty details can be found in the General Terms and Conditions (GTC). The GTC can be viewed at www.jettools.com or can be sent by post upon request.

The Seller reserves the right to make changes to the product and accessories at any time.

3. Safety

3.1 Authorized use

This brush sander is designed for brushing wood and similar materials only. Brushing of other materials is not permitted and may be carried out in specific cases only after consulting with the manufacturer.

The workpiece must allow to safely be loaded, supported and guided.

The machine is not suitable for wet brushing.

The proper use also includes compliance with the operating and maintenance instructions given in this manual.

The machine must be operated only by persons familiar with its operation and maintenance and who are familiar with its hazards.

The required minimum age must be observed.

The machine must only be used in a technically perfect condition.

When working on the machine, all safety mechanisms and covers must be mounted.

In addition to the safety requirements contained in these operating instructions and your country's applicable regulations, you should observe the generally recognized technical rules concerning the operation of woodworking machines.

Any other use exceeds authorization. In the event of unauthorized use of the machine, the manufacturer renounces all liability and the responsibility is transferred exclusively to the operator.

3.2 General safety notes

Woodworking machines can be dangerous if not used properly. Therefore the appropriate general technical rules as well as the following notes must be observed.

Read and understand the entire instruction manual before attempting assembly or operation.

Keep this operating instruction close by the machine, protected from dirt and humidity, and pass it over to the new owner if you part with the tool.

No changes to the machine may be made.

Daily inspect the function and existence of the safety appliances before you start the machine.

Do not attempt operation in this case, protect the machine by unplugging the mains cord.

Remove all loose clothing and confine long hair.

Before operating the machine, remove tie, rings, watches, other jewellery, and roll up sleeves above the elbows.

Wear safety shoes; never wear leisure shoes or sandals.

Always wear the approved working outfit.

Do **not** wear gloves.

Remove jammed work pieces only when motors are turned off and the machine is at a complete standstill.

Install the machine so that there is sufficient space for safe operation and workpiece handling.

Keep work area well lighted.

The machine is designed to operate in closed rooms and must be placed stable on firm and levelled ground.

Make sure that the power cord does not impede work and cause people to trip.

Keep the floor around the machine clean and free of scrap material, oil and grease.

Stay alert!

Give your work undivided attention.

Use common sense. Do not operate the machine when you are tired.

Do not operate the machine under the influence of drugs, alcohol or any medication. Be aware that medication can change your behaviour.

Never reach into the machine while it is operating or running down.

Never leave a running machine unattended. Before you leave the workplace switch off the machine.

Keep children and visitors a safe distance from the work area.

Do not operate the electric tool near inflammable liquids or gases.

Observe the fire fighting and fire alert options, for example the fire extinguisher operation and place.

Do not use the machine in a damp environment and do not expose it to rain.

Wood dust is explosive and can also represent a risk to health.

Dust from some tropical woods in particular, and from hardwoods like beach and oak, is classified as a carcinogenic substance.

Always use a suitable dust extraction device

Before machining, remove any nails and other foreign bodies from the workpiece.

Never operate with the guards not in place – serious risk of injury!

Never reach with your hands into the machine when guiding or sorting the work piece.

Use a feeding aid (push wood) if you want to feed short stock into the machine. Stock must have a minimum length of 125 mm.

Machine only stock which rests securely on the table.

Specifications regarding the maximum or minimum size of the workpiece must be observed.

Do not machine more than two work pieces at the same time.

Do not stand on the machine.

Connection and repair work on the electrical installation may be carried out by a qualified electrician only.

Have a damaged or worn power cord replaced immediately.

Replace any torn or worn brush immediately.

Make all machine adjustments or maintenance with the machine unplugged from the power source.

3.3 Remaining hazards

When using the machine according to regulations some remaining hazards may still exist.

The moving brush drum in the work area can cause injury.

Drawing-in/trapping hazard by power feed mechanism.

Squeezing hazard by work piece power-outfeed.

Thrown workpiece parts can lead to injury.

Brush-sanding dust and noise can be health hazards. Be sure to wear personal protection gear such as safety goggles, ear plugs and dust mask. Use a suitable dust exhaust system.

Defective brush-drum can cause injuries.

The use of incorrect mains supply or a damaged power cord can lead to injuries caused by electricity.

4. Machine specifications

4.1 Technical data

Brush Diameter	127mm
Drum speed	1400 rpm
Brushing speed	9 m/sec

Max brushing width 515 (1030) mm

Feed speed 0 – 3 m/min

Dust port diameter 100mm
suction at 20 m/sec 560m³/h

Overall (LxWxH) 1040x1040x1320mm
Net weight 155 kg

Mains 230V ~1/N/PE 50Hz

Output power 2,2 kW (3 HP) S1

Reference current 14 A

Extension cord (H07RN-F): 3x1,5mm²

Installation fuse protection 16A

4.2 Workpiece dimensions

Work piece thickness 2 – 100 mm

Min. work piece length 125 mm

4.3 Noise emission

(Inspection tolerance 4 dB)

Acoustic pressure level
(according to EN ISO 11202):

Idling 71,6 dB (A)

In operation 84,9 dB (A)

The specified values are emission levels and are not necessarily to be seen as safe operating levels.

As workplace conditions vary, this information is intended to allow the user to make a better estimation of the hazards and risks involved only.

4.4 Content of delivery

Assembly kit (A-L)

2 Drum Alignment Templates (M)

Brush Sander (N)

2 LH Mounting Bracket (S)

2 RH Mounting Bracket (T)

- Conveyor Table Assembly (O)
- Handwheel Knob (P)
- Handwheel (Q)
- Infeed/Outfeed Table (U)
- Open-end Wrenches (V)
- Hex Wrenches (X)
- 4 Legs (R)
- 4 Wheels (W)
- 2 Assembly Fixtures (Z)
- Operating manual
- Spare parts list.



Fig 1

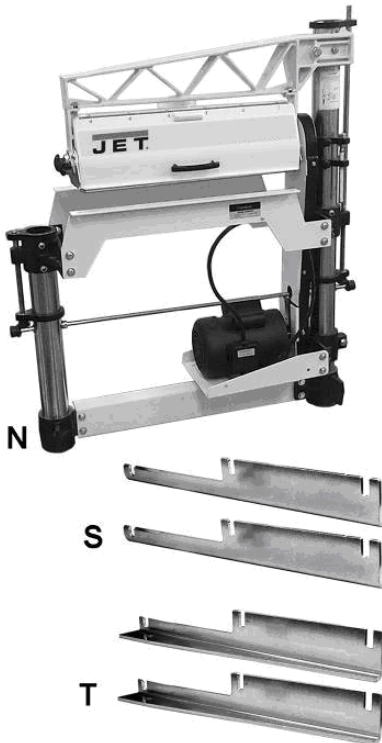


Fig 2

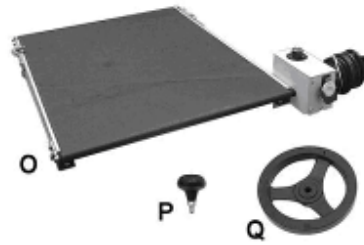


Fig 3



Fig 4

4.5 Machine description

- A....Dust hood
- B....Carriage arm
- C....ON/OFF switchbox
- D....Digital height scale
- E....Feed control knob
- F....Belt guard
- G....Motor support
- H....Motor

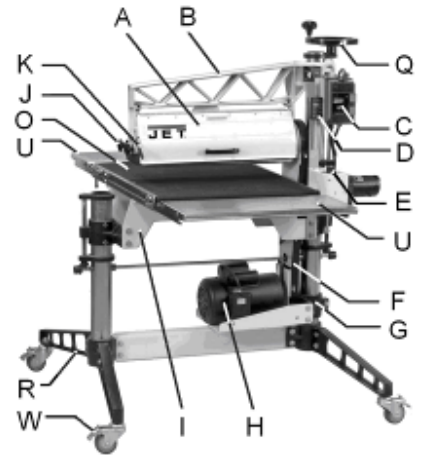


Fig 5

- I.....Table support
- J.....Bearing lock knob
- K.....Brush adjust lever
- O....Conveyor table
- Q....Height adj. handwheel
- R....Leg
- U.....Table extensions
- W.....Wheels

5. Transport and start up

5.1 Transport and installation

The machine is designed to operate in closed rooms and must be placed stable on firm and levelled ground. The machine comes with 4 wheels, but can be bolted down if required.

5.2 Assembly

If you notice transport damage while unpacking, notify your supplier immediately. Do not operate the machine!

Dispose of the packing in an environmentally friendly manner.

Clean all rust protected surfaces with a mild solvent.

For packing reasons the machine is not completely assembled.

Stand assembly

WARNING:

Main unit is heavy (150kg)!

Assure the sufficient load capacity and proper condition of your lifting devices.

Never step underneath suspended loads.

Use great care when lifting the unit.

Use a forklift or hoist to rise the machine and place it onto the assembly fixtures (Z, Fig 6)

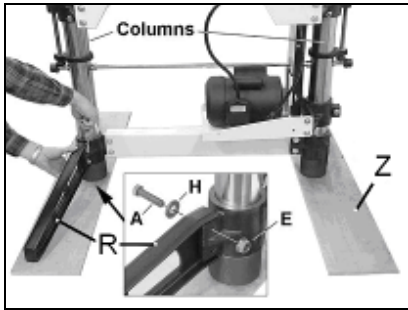


Fig 6

Mount the 4 legs (R) to the columns.

Lift the brush sander and remove the assembly fixtures.

Mount the 4 wheels (W, Fig 7)

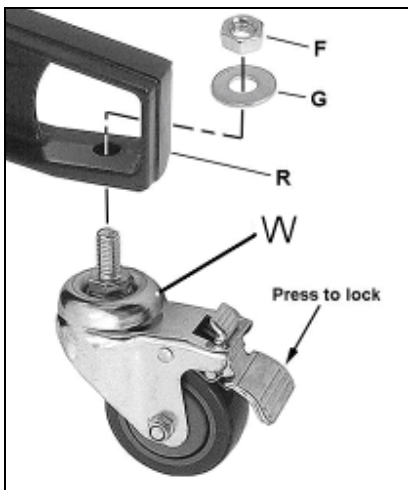


Fig 7

Adjust table support screws

Attention:
The set screws have been tightened for shipment.

All 4 set screws must be loosened and re-adjusted before operating the height adjusting mechanism.

Failure to follow may damage the miter gears.

Loosen each hex nut, then loosen the 4 set screws (N, Fig 8)

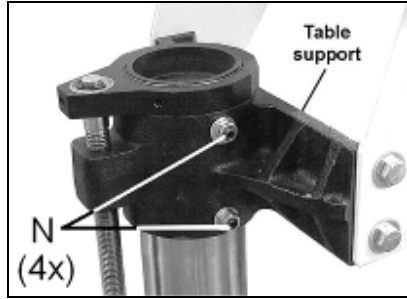


Fig 8

Re-tighten the set screws until they only lightly touch the column.

Install handwheel

Attach the handwheel and tighten the two set screws (R, Fig 9) with the 4mm hex wrench supplied

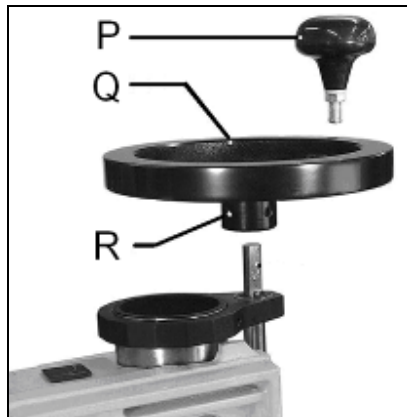


Fig 9

Conveyor Table Installation

Place the conveyor table (O, Fig 10) onto the mounting brackets.

Secure the conveyor in place with four hex head bolts, washers and nuts.

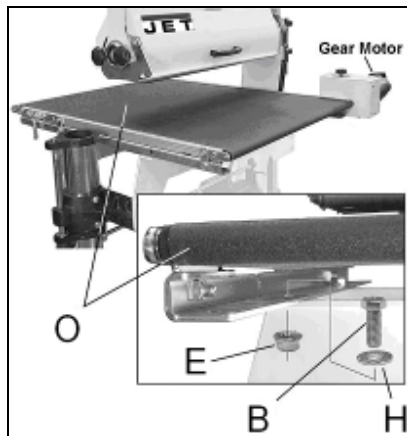


Fig 10

Plug the sander's motor cord into the receptacle of the control box (Fig 11).

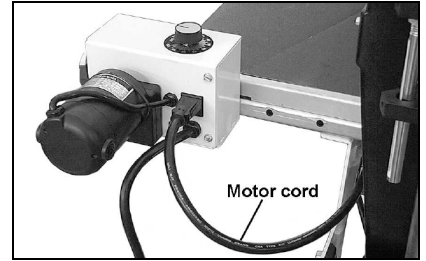


Fig 11

Important: The conveyor belt has been over-tensioned for the purpose of shipping. Before operation, adjust the belt tension (see chapter 7.5).

Install table extensions

Remove the hex bolt from the rail (C, Fig 9)

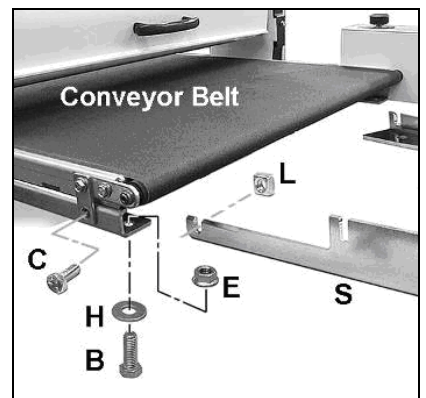


Fig 9

Slide the supports (S, T, Fig 10) into the rails and attach with bolts and nuts.

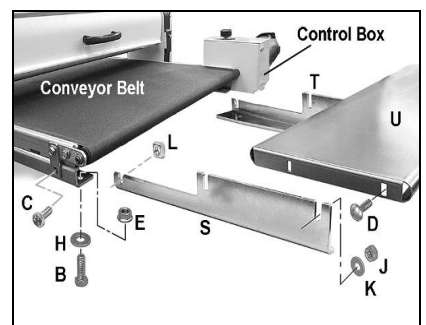


Fig 10

Note:

You have to remove the control box bottom cover to mount the right support (T).

Install the tables (U).

Align the extension tables with the help of a straight edge or a straight piece of wood (Fig 11).

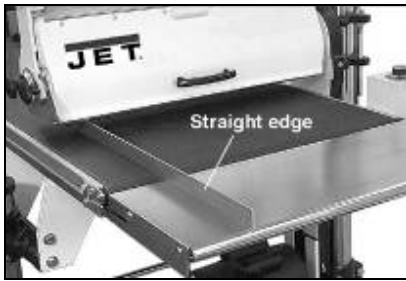


Fig 11

The tables should be even or slightly below the conveyor table.

Depth Gauge Calibration

Lower the gauge support (CC, Fig 12) until it rests on the table support (EE).

Raise the conveyor table until it touches the brush.

Loosen the lock knob (DD) and move support until scale reads "0"

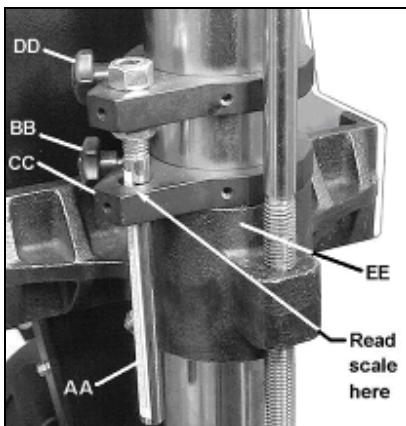


Fig 12

Note:

The depth scale can also be used as a positive stop (e.g. to avoid the conveyor belt touching the brush)

5.3 Mains connection

Mains connection and any extension cords used must comply with applicable regulations.

The mains voltage must comply with the information on the machine licence plate.

The mains connection must have a 16 A surge-proof fuse.

Only use power cords marked H07RN-F

Connections and repairs to the electrical equipment may only be carried out by qualified electricians.

5.4 Dust connection

Before initial operation, the machine must be connected to a dust extractor. The suction should switch on automatically when the sander is switched on.

The flow rate on the 100mm suction port must be 20m/sec. Flexible hoses must be of non-flammable quality, and must be connected to the machine ground system.

5.5 Starting operation

You can start the brush-drum with the green ON-button on the switch box (C, Fig 13).

The red OFF-button on the switch box stops the motor.

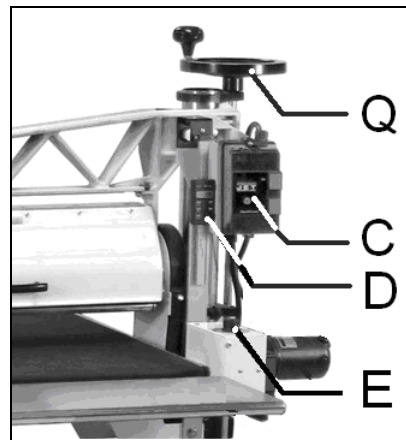


Fig 13

The feed control knob (E) starts the conveyor and selects the feed rate from 0 to 100% (0 – 3 m/min)

The height adjustment handle (Q) raises or lowers the table to select the depth of cut.

The digital scale (D) can be used to display the depth of cut.

6. Machine operation

Correct operating position:

To feed the workpiece into the machine, position yourselves offset to one side of the feed opening.

Workpiece handling:

Feed stock from the infeed side and against the rotation of the drum. It will then be automatically fed through the machine.

Feed with thicker workpiece end at the front, hollow side downward.

Don't machine stock that is heavily twisted, bowed, or otherwise varies in thickness from end to end.

Workpieces shorter than 125 mm may not be processed.

Machine max. 2 workpieces at one time. Feed on both brush ends.

Support long workpieces with helping roller stands.

Basic operating procedures:

Set depth of cut

Start brush-drum

Start conveyor and select federate.

Start dust collector

Feed stock through unit

General warning:

Always keep your fingers well clear of the rotating brush-drum. Never place your fingers under the drum.

Operating notes:

Do avoid overload (excessive bending) of the nylon-bristles, do not adjust for more than 1mm stock removal.

Brush life can be increased by taking small passes.

You get a faster stock removal when brushing several passes with less depth of cut at a higher feedrate.

It may take some experimentation to determine the proper stock removal, given the variables of abrasive grit, type of wood and feed rate.

Switch machine off if no further brushing is to be done immediately afterwards.

Sand Smart:

The JBS-22 brush sander is equipped with motor load monitoring to avoid excessive material removal and motor stalling.

Whenever the main motor runs on full power the feed rate is automatically reduced and the red Led is lit.

Note: Reduction of feedrate increases the risk of burning the wood.

You get a better result at high feedrate and small depth of cut.

Digital Scale:

The digital scale (Fig 14) can be used to display the depth of cut.

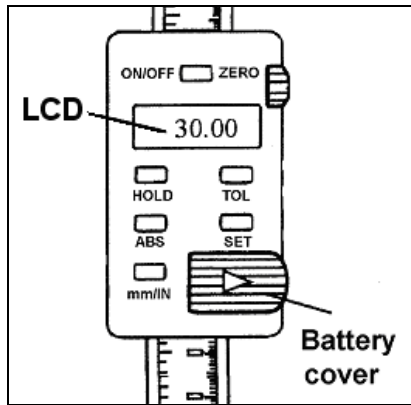


Fig 14

This device uses a 1.5-volt battery cell (SR44 or G-13A). If it needs replacing, slide off the battery cover. The +pole of the battery is facing out.

ON/OFF:

Press ON/OFF button to power on. Press ON/OFF button 3 seconds for power off.

Incremental Measurement (INC):

Is used to display the amount of material to be removed from a workpiece.

Press ABS until "INC" appears.

Reset to Zero (Zero):

Press the ON/OFF button to reset to zero.

Absolute Measurement (ABS):

This function is not generally used in brush-sanding operations.

To calibrate:

Brush a board and measure the thickness.

Without moving the table, press the SET button– the indicator will flash "SET".

Press and hold the SET button until the digit you want flashes.

Press SET (no longer than 1 second), the digit will increase by one each time SET is pressed.

When finished, press and hold the SET button until indicator "SET" flashes.

Press SET again (no longer than 1 second). The indicator "SET" disappears and the value you just input is displayed on the LCD.

The setting will be kept in the memory, even when the digital display is turned off.

It only needs resetting after battery replacement.

IMPORTANT:

Always place the digital display in "INC" mode before turning it off. If you turn it off while in "ABS" mode, your absolute setting will default to zero.

Memory (HOLD):

The Hold button is used to record a critical setting for reference for the purpose of later resetting to that same setting.

For example: In the event that brushing a board is aborted in the middle of the operation:

Press the HOLD button à The dimension is "frozen" in the LCD display.

Press HOLD again to return to normal measurements.

Stroke limit (TOL):

This function is not used on the brush sander.

7. Setup and adjustments

General note:

Setup and adjustment work may only be carried out after the machine is protected against accidental starting by pulling the mains plug.

7.1 Selecting brush grit

It is important to select the proper grit of brush for the type of sanding being performed to achieve maximum brushing results.

The machine is equipped with a 80 grit brush, which works best in most wood structure brushing applications.

Brushes with different grit are available on option.

7.2 Changing the brush-drum

Disconnect the machine from the power source (pull mains plug).

Remove the dust hood (Q, Fig 15) for better access (open half way and pull back).

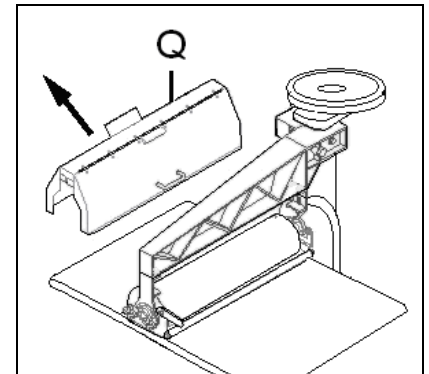


Fig 15

Rise the conveyor table (O, Fig 16) to the highest position, to support the entire brush assembly (M).

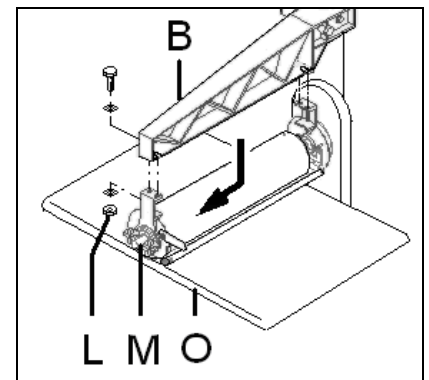


Fig 16

Remove the 4 hex bolts and nuts (L)

Lower the conveyor table approx 30mm, this takes away the V-belt tension.

Pull the brush assembly to the left and disengage the V-belt.

Loosen 2 grub screws (P, Fig 17) and remove the pulley.

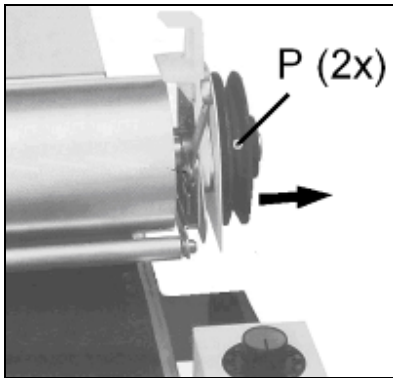


Fig 17

Loosen 2 grub screws each (Y, Fig 18) and slide off the 2 bearing assemblies.

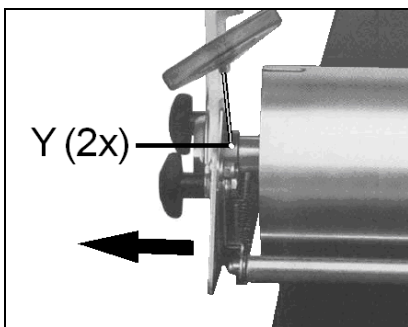


Fig 18

Change the brush.

Reinstall the brush-drum in the reverse order:

- install the bearing assemblies
- (install the feed rods)!
- install the pulley
- install the V-belt
- move the table up (tightens the belt)
- re-attach the entire drum assembly
- re-install the dust hood

- Inspect for free rotation of the drum and feed rods
- Make sure all screws are tight
- Start the machine with care.

7.3 Brush-drum alignment

The brush-drum is adjusted parallel to the conveyor table ex works.

The brush-drum outboard bearing can be adjusted up/down (Fig 19)

For optimum brushing of boards wider than the drum, the drum alignment is critical and must be exactly level or slightly high on the outboard end.

Fine tuning brush-drum alignment:

Disconnect the machine from the power source (pull mains plug).

Loosen the 2 star-knobs (X, Fig 19) and raise the outboard end of the drum with the adjust lever (Y).

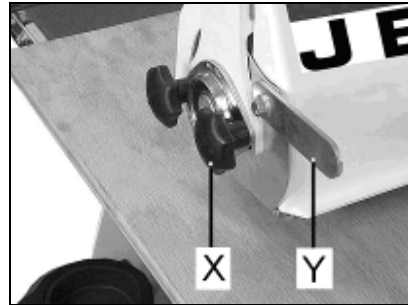


Fig 19

Retighten the star knobs.

7.4 Brush Dressing

Nylon brushes may need “dressing “ of the bristle tips to maintain uniform brush wear and to expose new grit on the ends of the fiber.

Brush dressing instructions:

Staple a 60 grit sandpaper across a flat wooden board.

Raise the board, so the tips of the nylon-bristles contact the sandpaper (by approx 0,5mm).

Pass the abrasive loaded board through the machine, at a conveyor feed rate of approximately 50%, until the brush fibers are sharp and even.

7.5 Feed-roller adjustment

Feed roller pressuer is adjusted ex works.

The feet roller pressure can be adjusted on the compression springs (F, Fig 20).

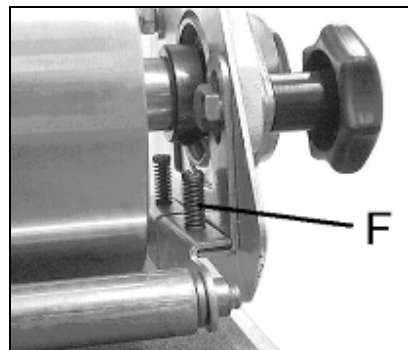


Fig 20

Note:

Insufficient feed roller pressure (or feed rollers set too high) could allow kickback or slippage of workpieces.

Too much pressure results in snipe marks on the workpiece.

7.6 Conveyor belt tensioning

Adjust the take-up screw nut (Z, Fig 21) on both sides of the conveyor to obtain approximately equal tension.

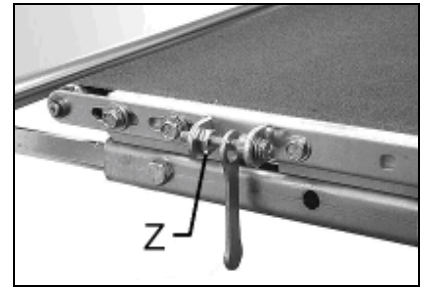


Fig 21

Attention:

Do not apply high conveyor belt tension.

The belt is tensioned correctly when it can be stopped by hand pressure applied directly to the top of the conveyor belt.

Too high tension may cause belt tracking problems (may overrule the ceramic guide blocks).

Insufficient tension will cause slippage of the conveyor belt on the drive roller during brushing operation.

7.7 Conveyor belt tracking

The conveyor belt tracking is assured by 2 white ceramic guide blocks (=Trackers, Fig 22).

They eliminate further belt tracking adjustments.

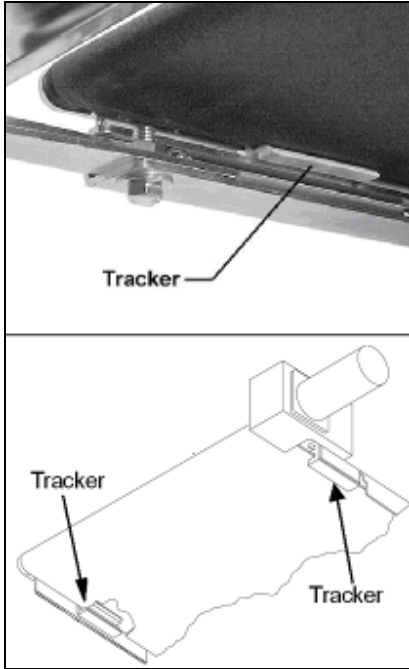


Fig 22

The Trackers are due to wear and can be reversed.

Tracker Kit (2 pieces)
Jet Art. No.: 98-0080

Note:

There will be increased wear during the break in time, which may white mark the conveyor belt. This has no negative effect to the machine function.

Please assure to keep the belt tension as low as possible until the belt and ceramic guide blocks are worn in.

Note:

Make sure the conveyor bed is not twisted, place a level on the conveyor bed to check.

Check the conveyor drive roller to make sure it is parallel to the surface of the conveyor bed (Fig 23).



Fig 23

If not, loosen and adjust the bracket that hold the roller in place.

7.8 Conveyor belt changing

Disconnect the machine from the power source (pull mains plug).

Unplug the motor cord from the control box.

Relieve the conveyor belt tension.

Remove four bolts attaching conveyor assembly to the base.

Lift up and slide conveyor unit out to the side of the machine.

Slide conveyor belt off the end of the conveyor.

Reverse process for installation.

7.9 V-belt tensioning

Loosen the pinch-bolt (G, Fig 24) and lower the motor (H) by its own weight only.

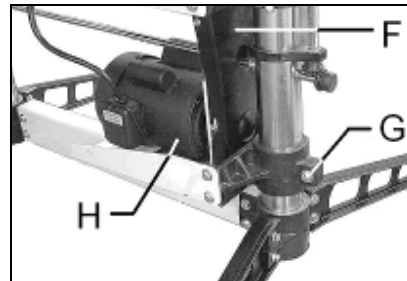


Fig 24

Make sure the motor stays aligned.

Tighten the pinch-bolt (G).

7.10 V-belt replacement:

Disconnect the machine from the power source (pull mains plug).

Remove the plastic belt guard (F).

Remove the bevel gear (I, Fig 25) and loosen the collar (K).

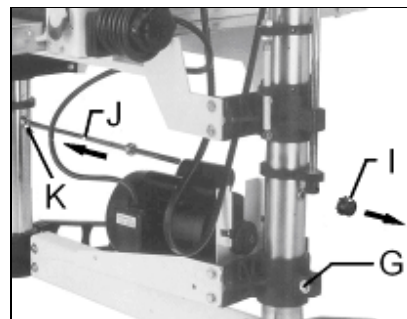


Fig 25

Slide the transmission rod (J) to the left.

Loosen the pinch-bolt (G) and rise the motor (H).

Install new V-belt and lower the motor by its own weight only.

Make sure the pulleys are aligned.

Tighten the pinch-bolt (G).

Replace transfer rod, bevel gear and collar.

Install the belt cover (F).

8. Maintenance and inspection

General notes:

Maintenance, cleaning and repair work may only be carried out after the machine is protected against accidental starting by pulling the mains plug.

Check brush regularly for faults. Replace a defective brush-drum immediately.

Inspect the conveyor belt tracking regularly.

Monthly lubricate all moving parts, such as threaded rods, washers and bushings.

Clean the machine regularly.

Inspect the proper function of the dust extraction daily.

Defective safety devices must be replaced immediately.

All protective and safety devices must be re-attached immediately after completed cleaning, repair and maintenance work.

Repair and maintenance work on the electrical system may only be carried out by a qualified electrician.

9. Trouble shooting

Motor doesn't start

*No electricity- check mains and fuse.

*Defective switch, motor or cord- consult an electrician.

Conveyor belt stops

*Improper belt tension- Adjust belt tension.

*Shaft coupling loose- Align shaft flats of gear motor and tighten shaft coupling set screws.

Board slips on conveyor belt

*Dirty or worn conveyor belt- Clean or replace conveyor belt.

Machine vibrates excessively

Stand on uneven floor-
adjust stand for even support.

Brush sander burns wood

*Depth of cut excessive-
reduce depth of cut.

*Feed rate too slow-
Increase feed rate.

Uneven brushing surface

*Uneven federate-
Conveyor belt slipping (see above).

*Drum out of alignment-
Fine-tune drum alignment.

*Machine vibrations (see above)

10. Available accessories

Stock number 60-6004

Wire brush-drum

Stock number 60-6005

Brush-drum 46 grit

Stock number 60-6001

Brush-drum 80 grit

Stock number 60-6002

Brush-drum 120 grit

Stock number 60-6003

Brush-drum 240 grit

Stock number 60-0321-P

Conveyor belt 100 grit

DE - DEUTSCH

Gebrauchsanleitung

Sehr geehrter Kunde,

vielen Dank für das Vertrauen, welches Sie uns beim Kauf Ihrer neuen JET-Maschine entgegengebracht haben. Diese Anleitung ist für den Inhaber und die Bediener zum Zweck einer sicheren Inbetriebnahme, Bedienung und Wartung der **Bürstmaschine JBS-22** erstellt worden. Beachten Sie bitte die Informationen dieser Gebrauchsanleitung und der beiliegenden Dokumente. Lesen Sie diese Anleitung vollständig, insbesondere die Sicherheitshinweise, bevor Sie die Maschine zusammenbauen, in Betrieb nehmen oder warten. Um eine maximale Lebensdauer und Leistungsfähigkeit Ihrer Schleifmaschine zu erreichen befolgen Sie bitte sorgfältig die Anweisungen.

Inhaltsverzeichnis

1. Konformitätserklärung

2. Garantieleistungen

3. Sicherheit

Bestimmungsgemäße Verwendung
Allgemeine Sicherheitshinweise
Restrisiken

4. Maschinenspezifikation

Technische Daten
Werkstückabmessungen
Schallemission
Lieferumfang
Beschreibung der Maschine

5. Transport und Inbetriebnahme

Transport und Aufstellung
Montage
Elektrischer Anschluss
Absaug Anschluss
Inbetriebnahme

6. Betrieb der Maschine

7. Rüst- und Einstellarbeiten

Bürstenwahl
Bürstenwechsel
Bürstenausrichtung
Bürste Abrichten und Schärfen
Vorschubrollen-Einstellung
Vorschubband-Spannung
Vorschubband-Seitenführung
Vorschubband-Wechsel
Keilriemen Spannung
Keilriemen Wechsel

8. Wartung und Inspektion

9. Störungsabhilfe

10. Umweltschutz

11. Lieferbares Zubehör

1. Konformitätserklärung

Wir erklären in alleiniger Verantwortlichkeit, dass dieses Produkt mit den auf Seite 2 angegebenen Richtlinien* übereinstimmt.

Bei der Konstruktion wurden folgende Normen** berücksichtigt.

2. Garantieleistungen

Der Verkäufer garantiert, dass das gelieferte Produkt frei von Material- und Fertigungsfehlern ist. Diese Garantie trifft nicht auf jene Defekte zu, welche auf direkten oder indirekten, nicht fachgerechten Gebrauch, Unachtsamkeit, Unfallschaden, Reparatur, mangelhafte Wartung bzw. Reinigung sowie normalen Verschleiß zurückzuführen sind.

Garantie- bzw. Gewährleistungsansprüche müssen innerhalb von 12 Monaten ab dem Verkaufsdatum (Rechnungsdatum) geltend gemacht werden. Weitergehende Ansprüche sind ausgeschlossen.

Die vorliegende Garantie umfasst sämtliche Garantieverpflichtungen seitens des Verkäufers und ersetzt alle früheren Erklärungen und Vereinbarungen betreffend Garantien.

Die Garantiefrist gilt für eine tägliche Betriebszeit von 8 Stunden. Wird diese überschritten, so verkürzt sich die Garantiefrist proportional zur Überschreitung, jedoch höchstens auf 3 Monate.

Die Rücksendung beanstandeter Ware bedarf der ausdrücklichen vorherigen Zustimmung vom Verkäufer und geht auf Kosten und Gefahr des Käufers.

Die ausführlichen Garantieleistungen sind den Allgemeinen Geschäftsbedingungen (AGB) zu entnehmen. Die AGB sind unter www.jettools.com einzusehen oder werden auf Anfrage per Post zugestellt.

Der Verkäufer behält sich das Recht vor, jederzeit Änderungen am Produkt und Zubehör vorzunehmen.

3. Sicherheit

3.1 Bestimmungsgemäße Verwendung

Die Bürstmaschine ist geeignet zum Bürsten von Holz und Holzersatzstoffen. Die Bearbeitung anderer Werkstoffe ist nicht zulässig bzw. darf in Sonderfällen nur nach Rücksprache mit dem Maschinenhersteller erfolgen.

Die Maschine ist nicht für Nass-Schliff geeignet.

Es dürfen nur Werkstücke bearbeitet werden welche sicher aufgelegt und geführt werden können.

Die bestimmungsgemäße Verwendung beinhaltet auch die Einhaltung der vom Hersteller angegebenen Betriebs- und Wartungsanweisungen.

Die Maschine darf ausschließlich von Personen bedient werden, die mit Betrieb und Wartung vertraut und über die Gefahren unterrichtet sind.

Das gesetzliche Mindestalter ist einzuhalten.

Die Maschine nur in technisch einwandfreiem Zustand benutzen.

Beim Arbeiten an der Maschine müssen sämtliche Schutzeinrichtungen und Abdeckungen montiert sein.

Neben den in der Gebrauchsanleitung enthaltenen Sicherheitshinweisen und den besonderen Vorschriften Ihres Landes sind die für den Betrieb von Holzbearbeitungsmaschinen allgemein anerkannten fachtechnischen Regeln zu beachten.

Jeder darüber hinaus gehende Gebrauch gilt als nicht bestimmungsgemäß und für daraus resultierende Schäden haftet der Hersteller nicht. Das Risiko trägt allein der Benutzer.

3.2 Allgemeine Sicherheitshinweise

Holzbearbeitungsmaschinen können bei unsachgemäßem Gebrauch gefährlich sein. Deshalb ist zum sicheren Betreiben die Beachtung der zutreffenden Unfallverhütungs-Vorschriften und der nachfolgenden Hinweise erforderlich.

Lesen und verstehen Sie die komplette Gebrauchsanleitung bevor Sie mit Montage oder Betrieb der Maschine beginnen.

Bewahren Sie die Bedienungsanleitung, geschützt vor Schmutz und Feuchtigkeit, bei der Maschine auf, und geben Sie sie an einen neuen Eigentümer weiter.

An der Maschine dürfen keine Veränderungen, An- und Umbauten vorgenommen werden.

Überprüfen Sie täglich vor dem Einschalten der Maschine die einwandfreie Funktion und das Vorhandensein der erforderlichen Schutzeinrichtungen.

Festgestellte Mängel an der Maschine oder den Sicherheitseinrichtungen sind zu melden und von den beauftragten Personen zu beheben. Nehmen Sie die Maschine in solchen Fällen nicht in Betrieb, sichern Sie die Maschine gegen Einschalten durch Ziehen des Netzsteckers.

Zum Schutz von langem Kopfhaar Mütze oder Haarnetz aufsetzen.

Enganliegende Kleidung tragen, Schmuck, Ringe und Armbanduhren ablegen.

Tragen Sie Schutzschuhe, keinesfalls Freizeitschuhe oder Sandalen.

Verwenden Sie die durch Vorschriften geforderte persönliche Schutzausrüstung.

- Augenschutz
- Gehörschutz
- Staubschutz

Beim Arbeiten an der Maschine **keine Handschuhe** tragen.

Entfernen Sie eingeklemmte Werkstücke nur bei Maschinenstillstand.

Die Maschine so aufstellen, dass genügend Platz zum Bedienen und zum Führen der Werkstücke gegeben ist.

Sorgen Sie für gute Beleuchtung.

Die Maschine sollte in geschlossenen Räumen aufgestellt werden, dabei muss sie standsicher auf festem und ebenem Grund stehen.

Beachten Sie dass die elektrische Zuleitung nicht den Arbeitsablauf behindert und nicht zur Stolperstelle wird.

Den Arbeitsplatz frei von behindernden Werkstücken, etc. halten.

Seien Sie aufmerksam und konzentriert. Gehen Sie mit Vernunft an die Arbeit.

Achten Sie auf ergonomische Körperhaltung. Sorgen Sie für sicheren Stand und halten Sie jederzeit das Gleichgewicht.

Arbeiten Sie niemals unter dem Einfluss von Rauschmitteln wie Alkohol und Drogen an der Maschine. Beachten Sie, dass auch Medikamente Einfluss auf Ihr Verhalten nehmen können.

Niemals in die laufende Maschine greifen.

Die laufende Maschine nie unbeaufsichtigt lassen. Vor dem Verlassen des Arbeitsplatzes die Maschine ausschalten.

Halten Sie Unbeteiligte, insbesondere Kinder vom Gefahrenbereich fern.

Benützen Sie die Maschine nicht in der Nähe von brennbaren Flüssigkeiten oder Gasen. Beachten Sie die Brandmelde- und Brandbekämpfungsmöglichkeiten z.B. Standort und Bedienung von Feuerlöschern.

Benützen Sie die Maschine nicht in feuchter Umgebung und setzen Sie sie nicht dem Regen aus.

Holzstaub ist explosiv und kann gesundheitsschädigend sein. Insbesondere tropische Hölzer und harte Hölzer wie Buche und Eiche sind als krebserregend eingestuft. Achten Sie stets darauf, dass keine zu große Staubkonzentration entsteht – verwenden Sie stets eine geeignete Absauganlage

Vor der Bearbeitung Nägel und andere Fremdkörper aus dem Werkstück entfernen.

Die Maschine nie bei entfernten Schutzeinrichtungen in Betrieb nehmen – große Verletzungsgefahr!

Fassen Sie beim Führen und Abnehmen eines Werkstücks niemals mit den Händen in die laufende Maschine.

Verwenden Sie eine Zuführhilfe (Schiebeholz), wenn Sie kleinere Werkstücke in die Maschine schieben wollen. Die Werkstücke müssen jedoch mindestens 125 mm lang sein.

Bearbeiten Sie nur ein Werkstück, das sicher auf dem Tisch aufliegt.

Angaben über die min. und max. Werkstückabmessungen müssen eingehalten werden

Niemals mehr als zwei Werkstücke gleichzeitig bearbeiten.

Nicht auf der Maschine stehen.

Arbeiten an der elektrischen Ausrüstung der Maschine dürfen nur durch eine Elektrofachkraft vorgenommen werden.

Tauschen Sie ein beschädigtes Netzkabel sofort aus.

Schadhafte Bürste sofort ersetzen.

Umrüst-, Einstell- und Reinigungsarbeiten nur im Maschinenstillstand und bei gezogenem Netzstecker vornehmen

3.3 Restrisiken

Auch bei vorschriftsmäßiger Benutzung der Maschine bestehen die nachfolgend aufgeführten Restrisiken.

Verletzungsgefahr durch die sich drehende Bürste.

Einzugsgefahr durch automatischen Vorschub.

Quetschgefahr durch automatischen Werkstück Ausschub.

Gefährdung durch wegfliegende Werkstückteile.

Gefährdung durch Lärm und Staub. Unbedingt persönliche Schutzausrüstungen wie Augen-, Gehör- und Staubschutz tragen. Eine geeignete Absauganlage einsetzen!

Gefährdung durch schadhafte Bürste.

Gefährdung durch Strom, bei nicht ordnungsgemäßer Verkabelung.

4. Maschinenspezifikation

4.1 Technische Daten

Bürstendurchmesser	127mm
Drehzahl	1400 U/min
Bürstgeschwindigkeit	9 m/sec
Max. Bürstbreite	515 (1030) mm
Vorschubgeschwindigkeit	0 – 3 m/min
Absauganschluss Durchm.	100mm
Absaugvolumenstrom bei 20 m/sec	560m ³ /h
Maschinenabmessungen (LxBxH)	1040x1040x1320mm
Maschinengewicht	155 kg
Netzanschluss	230V ~1/N/PE 50Hz
Abgabeleistung	2,2 kW (3 PS) S1
Betriebsstrom	14 A
Anschlussleitung (H07RN-F):	3x1,5mm ²
Bauseitige Absicherung	16A



Fig 1

4.2 Werkstückabmessungen

Dicke	2 – 100 mm
Min. Länge	125 mm

4.3 Schallemission

Schalldruckpegel (nach EN ISO 11202):	
Leerlauf	LpA 71,6 dB(A)
Bearbeitung	LpA 84,9 dB (A)

Die angegebenen Werte sind Emissionspegel und sind nicht notwendigerweise Pegel für sicheres Arbeiten. Sie sollen dem Anwender eine Abschätzung der Gefährdung und des Risikos ermöglichen.

4.4 Lieferumfang

- Montagezubehör (A-L)
- 2 Einstelllehren für Bürste (M)
- Bürsteinheit (N)
- 2 Linke Tischhalterungen (S)
- 2 Rechte Tischhalterungen (T)
- Vorschubtisch (O)
- Kurbelgriff (P)
- Höhenkurbel (Q)
- 2 Tischverlängerungen (U)
- 2 Gabelschlüssel (V)
- 2 Innensechskantschlüssel (X)
- 4 Standfüsse (R)
- 4 Lenkräder (W)
- 2 Montagehilfen (Z)
- Gebrauchsanleitung
- Ersatzteilliste

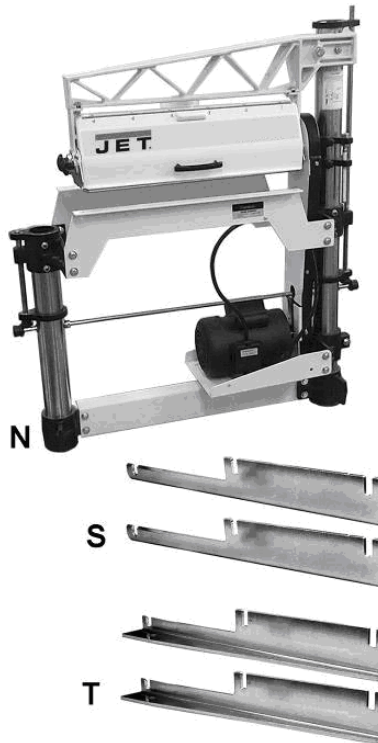


Fig 2



Fig 3

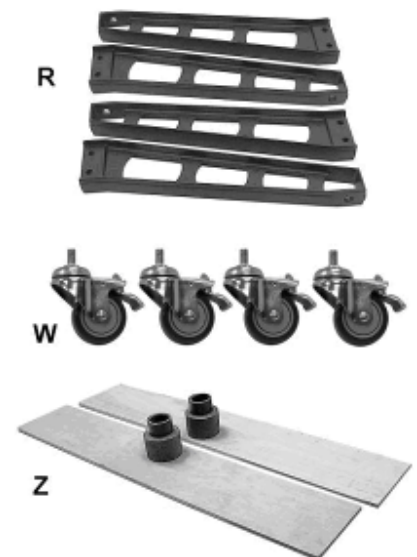


Fig 4

4.5 Beschreibung der Maschine

- A....Absaughaube
- B....Tragarm
- C....Ein/Aus Schalter
- D....Digitale Höhenanzeige
- E....Vorschub Steuerung
- F....Riemenschutz
- G....Motorträger
- H....Motor

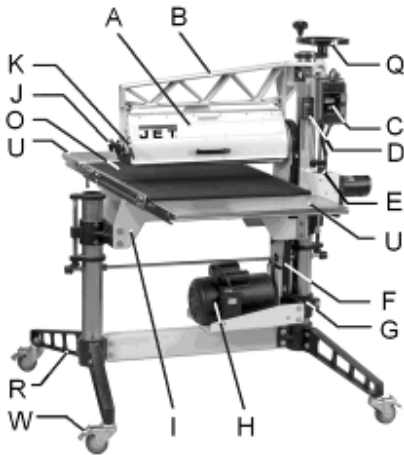


Fig 5

- I.....Tischträger
- J.....Lagerbefestigung
- K.....Bürsten-Einstellhebel
- O.....Vorschubtisch
- Q.....Höhenkurbel
- R.....Standfüsse
- U.....Tischverlängerungen
- W.....Lenkräder

5. Transport und Inbetriebnahme

5.1. Transport und Aufstellung

Die Aufstellung der Maschine sollte in geschlossenen Räumen erfolgen, tischlerübliche Bedingungen in der Werkstatt sind dabei ausreichend.

Die Aufstellfläche muss ausreichend eben und belastungsfähig sein.

Die Maschine wird mit 4 bremsbaren Lenkrollen geliefert, kann bei Bedarf auch auf der Aufstellfläche befestigt werden.

5.2 Montage

Wenn Sie beim Auspacken einen Transportschaden feststellen, benachrichtigen Sie umgehend Ihren Händler, nehmen Sie das Gerät nicht in Betrieb.

Entsorgen Sie die Verpackung bitte umweltgerecht.

Entfernen Sie das Rostschutzfett mit einem milden Lösungsmittel.

Aus verpackungstechnischen Gründen ist die Maschine nicht komplett montiert.

Montage der Standfüsse:

ACHTUNG

Die Bürsteinheit ist schwer (150 kg)! Achten Sie auf ausreichende Tragfähigkeit und einwandfreien Zustand der Hebezeuge. Treten Sie niemals unter schwebende Lasten.

Verwenden Sie einen Hubstapler oder einen Hebezug zum Anheben der Bürsteinheit.

Setzen Sie die Bürsteinheit vorsichtig auf die 2 Montagehilfen (Z, Fig 6).

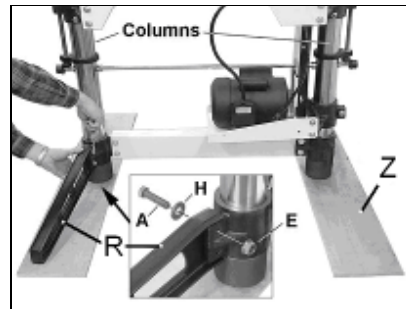


Fig 6

Befestigen Sie die 4 Standfüsse (R) mit Schrauben und Muttern.

Heben sie die Bürsteinheit an und entfernen Sie die Montagehilfen.

Montieren Sie die 4 Lenkräder (W, Fig 7).

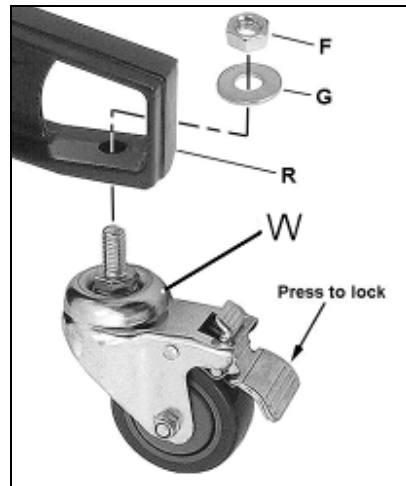


Fig 7

Einstellung der Säulenführung

Achtung:

Die Gewindestifte (N, Fig 8) sind für den Transport festgeklemmt.

Alle 4 Gewindestifte müssen vor dem Betätigen der Höhenkurbel gelöst und richtig eingestellt werden.

Andernfalls droht eine Beschädigung am Höhenverstellmechanismus.

Lösen Sie die 4 Kontermuttern und die 4 Gewindestifte (N, Fig 8)

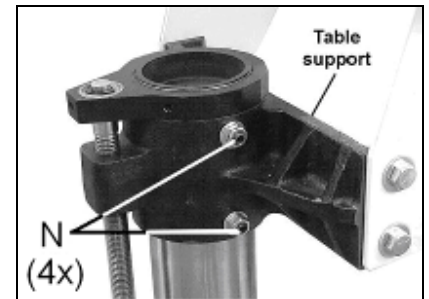


Fig 8

Stellen Sie die Gewindestifte so ein dass sie die Rundsäule leicht berühren, aber nicht klemmen.

Montage der Höhenkurbel

Montieren Sie die Höhenkurbel (Q, Fig 9) mit zwei Gewindestiften (R). Ein 4mm Innensechskantschlüssel ist mitgeliefert.

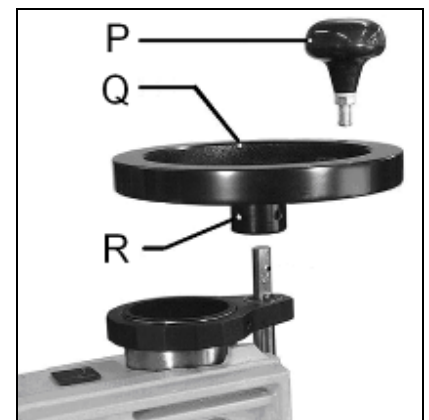


Fig 9

Vorschubtisch Montage:

Senken Sie den Tischträger maximal ab (Handkurbel gegen den Uhrzeigersinn drehen).

Heben Sie den Vorschubtisch (O, Fig 19) auf den Tischträger.

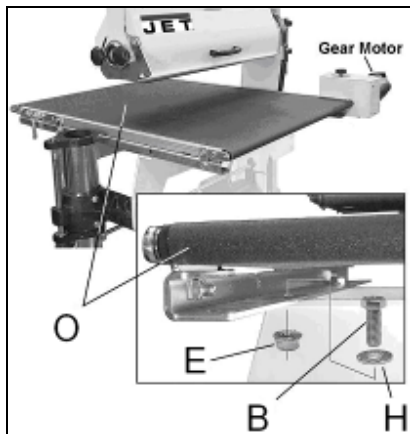


Fig 10

Schrauben Sie den Vorschubtisch mit 4 Sechskantschrauben, Scheiben und Muttern fest.

Verbinden Sie das Motorkabel mit dem Steuerkasten (Fig 11).

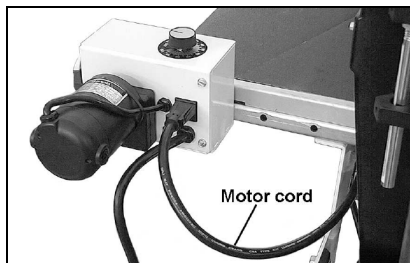


Fig 11

Achtung:
Das Vorschubband wurde für den Transport überspannt. Stellen Sie vor dem Betrieb die richtige Bandspannung ein (siehe Kapitel 7.5).

Montage der Tischverlängerungen

Entfernen Sie die Sechskantschraube (C, Fig 9) von der Schiene

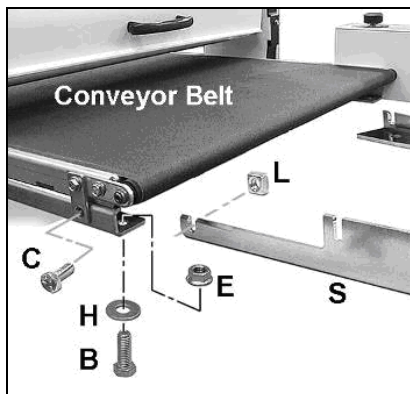


Fig 9

Schieben Sie die Haltewinkel (S, T, Fig 10) in die Schiene und befestigen Sie mit Schrauben und Muttern.

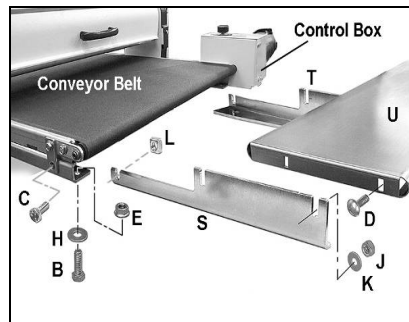


Fig 10

Hinweis:
Zur Montage des rechten Haltewinkels (T) muss der Bodendeckel von der Steuerung entfernt werden.

Montieren Sie die Tischverlängerungen (U).

Richten Sie die Tischverlängerungen bündig bis leicht unterhalb vom Vorschubtisch ein.

Verwenden Sie dazu ein Prüflineal oder eine gerades Holzstück (Fig 11).

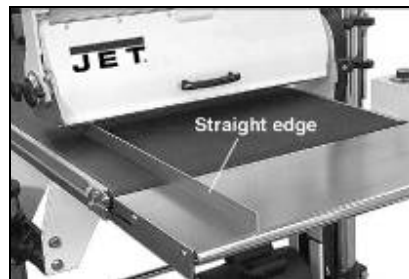


Fig 11

Höhenskala Kalibrierung

Senken Sie die Halterung (CC, Fig 12) bis auf die Tischhalterung (EE) ab.

Kurbeln Sie den Vorschubtisch nach oben bis er die Bürste berührt.

Lösen Sie die Griffschraube (DD) klemmen Sie so fest dass die Skala auf "0" steht.

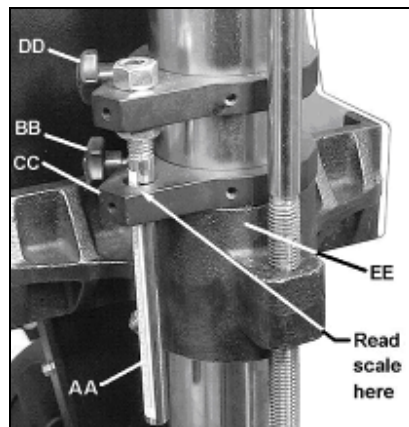


Fig 12

Hinweis:

Die Höhenskala kann auch als obere Hubbegrenzung verwendet werden (z.B. um ein Hineinbürsten in das Vorschubband zu vermeiden).

5.3 Elektrischer Anschluss

Der kundenseitige Netzanschluss sowie die verwendeten Verlängerungsleitungen müssen den Vorschriften entsprechen.

Die Netzspannung und Frequenz müssen mit den Leistungsschilddaten an der Maschine übereinstimmen.

Die bauliche Absicherung muss dabei 16A betragen.

Verwenden Sie nur Anschlussleitungen mit Kennzeichnung H07RN-F

Anschlüsse und Reparaturen der elektrischen Ausrüstung dürfen nur von einer Elektrofachkraft durchgeführt werden.

5.4 Absaug Anschluss

Die Maschine muss vor der Inbetriebnahme an eine Absaugung angeschlossen werden und zwar derart, dass sich beim Einschalten der Schleifmaschine die Absaugung selbsttätig einschaltet.

Die Mindestluftgeschwindigkeit am 100 mm Absaugstutzen muss 20 m/sec. betragen.

Absaugschläuche müssen der Qualität „schwer entflammbar“ entsprechen und in die Erdung der Maschine mit einbezogen werden.

5.5 Inbetriebnahme

Mit dem grünen Ein-Taster am Steuerkasten (C, Fig 13) kann die Bürste gestartet werden: Mit dem roten Aus-Taster am Steuerkasten kann die Maschine stillgesetzt werden.

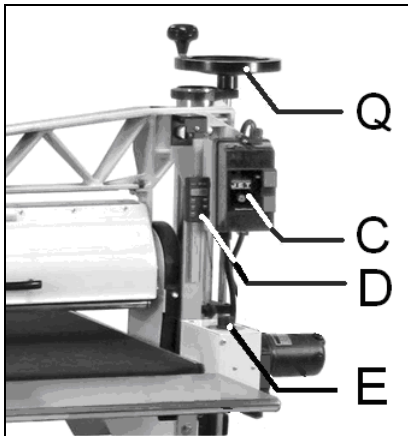


Fig 13

Der Drehschalter (E) startet das Vorschubband und regelt die Vorschubgeschwindigkeit von 0 – 100% (0 – 3 m/min)

Mit der Höhenkurbel (Q) stellen Sie die Bürste auf die gewünschte Spanabnahme ein.

Die Digitale Höhenanzeige (D) zeigt die gewählte Spanabnahme an.

6. Betrieb der Maschine

Richtige Arbeitsstellung:

Um das Werkstück in die Maschine einzuführen stellen Sie sich seitlich versetzt neben die Zuführöffnung.

Werkstückhandhabung:

Die Werkstückzuführung erfolgt mit dem automatischen Vorschub entgegen der Bürstenrotation.

Werkstück mit dem dickeren Ende voraus einführen, hohle Seite unten.

Bearbeiten Sie keine stark verdrehten oder verbogenen Werkstücke oder solche deren Dicke stark variiert.

Werkstücke die kürzer als 125 mm sind dürfen nicht bearbeitet werden.

Max. 2 Werkstücke gleichzeitig bürsten. An den beiden Bürstenenden zuführen.

Lange Werkstücke durch Rollenböcke abstützen.

Grundsätzliche Arbeitsfolge:

Spanabnahme einstellen

Schleiftrommel starten

Vorschub starten und Vorschubgeschwindigkeit wählen.

Absauganlage starten

Werkstück zuführen

Allgemeiner Warnhinweis:

Halten Sie immer ausreichend Abstand zur Bürste.

Fassen Sie mit den Fingern niemals unter die Bürste.

Arbeitshinweise:

Nylonbürsten brechen bei übermäßigem Verbiegen.

Um Bruch der Bürsten zu vermeiden, wählen Sie keine Spanabnahme über 1mm.

Die Bürstenlebensdauer ist höher wenn mit geringer Spanabnahme gearbeitet wird.

Die Materialabnahme ist besser wenn in mehreren Durchgängen bei geringer Zustellung und höherer Vorschubgeschwindigkeit gearbeitet wird.

Die optimale Zustellung bedarf einiger Erfahrung, und hängt von Bürstenkörnung, Vorschubgeschwindigkeit und Holzart wesentlich ab.

Die Maschine ausschalten, wenn nicht unmittelbar weitergearbeitet wird.

Sand Smart:

Die JBS-22 Bürstmaschine ist mit automatischer Vorschubreduktion (Sand Smart) ausgestattet um Motorüberlast zu vermeiden.

Wenn der Hauptmotor seine Leistungsgrenze erreicht hat leuchtet die rote Led-Lampe und die automatische Vorschubreduktion beginnt.

Hinweis:

Reduzierte Vorschubgeschwindigkeit erhöht die Gefahr des Verbrennens.

Sie erzielen bessere Ergebnisse bei hoher Vorschubgeschwindigkeit und geringer Zustellung.

Digital Höhenanzeige:

Die digitale Höhenanzeige (Fig 14) ist eine nützliche Hilfe zum präzisen Einstellen der Spanabnahme.

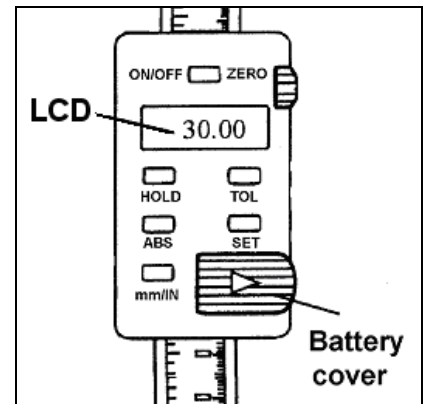


Fig 14

Als Batterie dient eine 1,5V Knopfzelle (SR44 oder G-13A).

Zum Batteriewechsel den Deckel aufschieben. Der +Pol liegt aussen.

Ein-und Ausschalten (ON/OFF):

Zum Einschalten drücken Sie die ON/OFF Taste.

Zum Ausschalten drücken Sie die ON/OFF Taste für 3 Sekunden.

Incremente Messwertanzeige (INC):

Wird verwendet um die Spanabnahme anzuzeigen.

Drücken sie die ABS-Taste bis "INC" angezeigt wird.

Nullen der Anzeige (Zero):

Drücken Sie die ON/OFF-Taste um die Anzeige zu Nullen.

Absolute Messwertanzeige (ABS):

Diese Funktion findet auf der Bürstmaschine wenig Verwendung.

Absolutwert Kalibrierung:

Bürsten Sie ein Werkstück und messen Sie die Dicke.

Ohne die Tischhöhe zu verstellen: Drücken Sie die SET-Taste → es wird "SET" blinkend angezeigt.

Drücken Sie nun die SET-Taste so lange bis die gewünschte Kommastelle blinkt.

Drücken Sie die SET-Taste kurz (maximal 1 Sekunde) → die Zahl steigt mit jedem Tastendruck um Eins.

Nach Abschluss, drücken Sie nun die SET-Taste so lange bis „SET“ blinkend angezeigt wird.

Drücken Sie die SET-Taste noch einmal kurz (maximal 1 Sekunde).
 → Die Anzeige „SET“ verschwindet und der soeben eingegbene Zahlenwert wird in die LCD-Anzeige übernommen.

Zwischenspeicher (HOLD):

Die HOLD-Taste wird dazu verwendet eine wichtige LCD-Massanzeige abzuspeichern um sie später als Referenzwert zur Verfügung zu haben.

Anwendung z.B. wenn eine Bürstoperation halbzeitig unterbrochen wird.

Drücken Sie die HOLD-Taste → das aktuelle Mass auf der LCD Anzeige bleibt (erstarrt).

Drücken Sie die HOLD-Taste erneut um zur normalen Anzeige zurückzuschalten.

Hubbegrenzung (TOL):

Diese Funktion findet auf der Bürstmaschine keine Verwendung.

7. Rüst- und Einstellarbeiten

Allgemeine Hinweise

Vor Rüst- und Einstellarbeiten muss die Maschine gegen Inbetriebnahme gesichert werden.

Netzstecker ziehen!

7.1 Bürstenwahl

Die Wahl der richtigen Bürste ist wichtig zur Optimierung des Bürstergebnisses.

Die Maschine wird mit einer Bürste mit 80-er Körnung geliefert. Diese Körnung liefert in den meisten Fällen das beste Arbeitsergebnis.

Als Zubehör sind Bürsten mit verschiedenen Körnungen verfügbar.

7.2 Bürstenwechsel

Die Stromzufuhr durch Ziehen des Netzsteckers trennen.

Entfernen Sie die Absaughaube (Q, Fig 15) für besseren Zugang. Die Absaughaube halb öffnen und nach hinten ziehen.

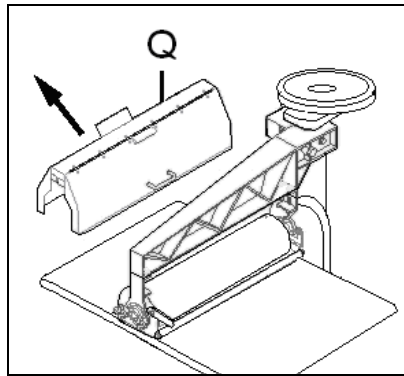


Fig 15

Kurbeln Sie den Vorschubtisch (O, Fig 16) ganz nach oben und stützen Sie die Bürsteinheit (M) damit ab.

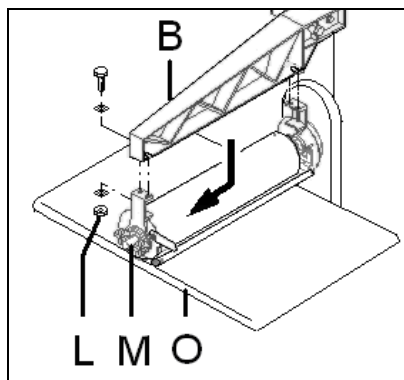


Fig 16

Lösen Sie 4 Schrauben und Muttern (L) und schrauben Sie die Bürsteinheit vom Tragarm ab.

Senken Sie den Vorschubtisch ca. 30mm ab, dadurch wird der Keilriemen entspannt.

Ziehen Sie die Bürsteinheit nach links und heben Sie den Keilriemen aus der Riemenscheibe.

Lösen Sie die 2 Gewindestifte (P, Fig 17) und ziehen Sie die Riemenscheibe ab.

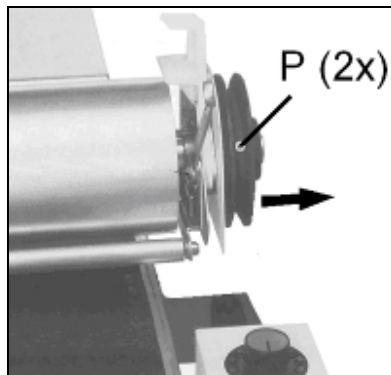


Fig 17

Lösen Sie je 2 Gewindestifte (Y, Fig 18) am Lagerinnenring und ziehen Sie beidseits die gesamte Lagereinheit ab.

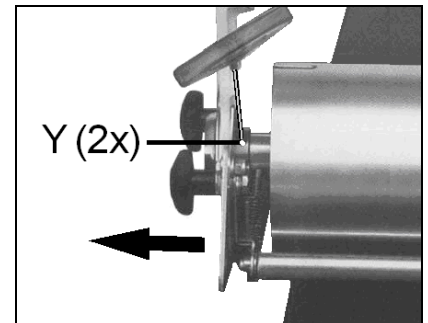


Fig 18

Wechseln Sie die Bürste

Die Montage der Bürste erfolgt in umgekehrter Reihenfolge:

- Montage der beiden Lagereinheiten (Montage der Vorschubrollen)!
- Montage der Riemenscheibe
- Auflegen des Keilriemens
- Anheben des Vorschubtisches (Spannen des Keilriemens)
- Festschrauben der Bürsteinheit am Tragarm
- Montage der Absaughaube
- Bürste und Vorschubrollen auf freie Rotation prüfen
- Prüfen dass alle Schrauben festgezogen sind
- Die Maschine mit Vorsicht starten

7.3 Bürstenausrichtung

Die Bürste ist ab Werk parallel zum Vorschubtisch voreingestellt.

Die linke Bürstenlagerung kann in der Höhe verstellt werden (Fig 19).

Beim Bürsten von breiten Werkstücken in zwei Durchgängen ist eine genaue Ausrichtung besonders wichtig. Das freie Bürstenende muss parallel oder leicht ansteigend sein.

Bürsten-Feinausrichtung:

Die Stromzufuhr durch Ziehen des Netzsteckers trennen.

Lockern Sie die 2 Sterngriffe (X, Fig 19) und heben Sie das freie Trommelende mit Hilfe des Excenterhebels (Y) an.

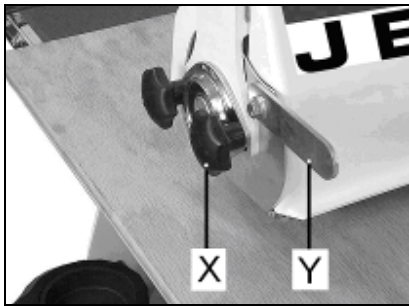


Fig 19

Ziehen Sie die Sterngriffe wieder fest.

7.4 Bürste Abrichten und Schärpen

Nylonbürsten können an der Maschine zylindrisch abgerichtet und geschärft werden...um ungleichmäßigen Bürstenverschleiss auszugleichen, bzw um neue Körnung freizulegen.

Schärfanweisung:

Befestigen (taggern) Sie Schleifpapier mit 60-er Körnung quer über eine ebene Holzplatte.

Stellen Sie zu bis die Bürstenenden das Schleifpapier ca. 0,5mm berühren.

Lassen Sie die schleifpapierbesetzte Platte mit ca. 50% Vorschubgeschwindigkeit durch die Maschine bis die Bürste wieder zylindrisch und frisch geschärft ist.

7.5 Vorschubrollen-Einstellung

Der Anpressdruck und die Höhe der Vorschubrollen sind ab Werk voreingestellt.

Der Anpressdruck lässt sich an den Federn (F, Fig 20) leicht einstellen.

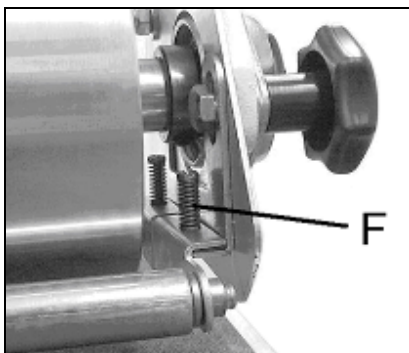


Fig 20

Hinweis:

Unzureichender Anpressdruck der Vorschubrollen (oder Lage der Vorschubrollen zu hoch) kann zu Werkstückrückschlag und zum Durchrutschen des Werkstücks führen.

Zu hoher Anpressdruck kann zu Stufen am Werkstück führen.

7.6 Vorschubband-Spannung

Stellen Sie mit den Stellmuttern (Z, Fig 21) eine beiderseits gleiche Bandspannung ein.

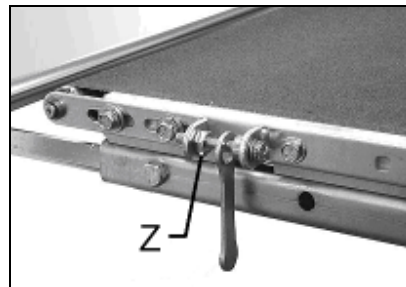


Fig 21

Achtung:

Das Vorschubband darf nicht fest gespannt sein!

Das Vorschubband ist richtig gespannt, wenn mit Handdruck auf den Vorschubtisch dieses noch gestoppt werden kann.

Eine zu hohe Bandspannung kann zu Bandlaufproblemen führen (Überforderung der Keramik-Führungselemente).

Bei unzureichender Bandspannung kann die Antriebsrolle während der Bearbeitung durchrutschen.

7.7 Vorschubband Seitenführung

Die seitliche Führung des Vorschubbandes wird durch 2 weiße Keramikelemente (=Tracker, Fig 22) sichergestellt.

Dadurch entfällt jeder weitere Aufwand zur Bandlaufeinstellung.

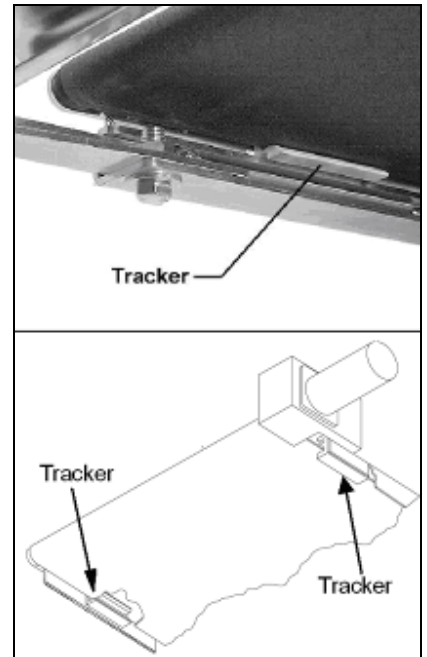


Fig 22

Die Keramikelemente unterliegen dem Verschleiß und können gewendet werden.

Tracker Set (2 Stück)
Jet Artikel Nummer: 98-0080

Hinweis:

In der Einlaufphase gibt es verstärkten Verschleiß, mit weißem Abrieb am Vorschubband.

Dies hat keinen negativen Einfluss auf die Maschinenfunktion.

Bitte achten Sie während der Einlaufphase auf eine möglichst niedrige Bandspannung.

Hinweis:

Prüfen Sie mit einem Lineal die Ebenheits des Vorschubtisches, dieser darf nicht verzogen sein. ...beheben Sie die Ursache (z.B. unebene Maschinenaufstellung)

Prüfen Sie mit einem Lineal die Parallelität der Vorschubrolle zum Vorschubtisch (Fig 23).



Fig 23

Bei Abweichung, das seitliche Lagerblech lösen und in der Höhe einrichten.

7.8 Vorschubband-Wechsel:

Die Stromzufuhr durch Ziehen des Netzsteckers trennen.

Trennen Sie das Motorkabel vom Steuerkasten.

Lösen Sie die Vorschubbandspannung.

Entfernen Sie die vier Sechskantschrauben, welche die Vorschubeinheit mit dem Maschinensockel verbinden.

Entfernen Sie die Vorschubeinheit aus der Maschine.

Ziehen Sie das Vorschubband ab.

Die Montage des neuen Vorschubbandes erfolgt in umgekehrter Reihenfolge.

7.9 Keilriemen-Spannung:

Die Stromzufuhr durch Ziehen des Netzsteckers trennen.

Lösen Sie die Klemmschraube (G, Fig 24) am Motorträger.

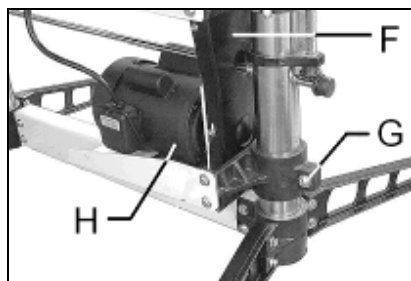


Fig 24

Spannen Sie den Riemen allein durch das Motorgewicht.

Achten Sie auf achsparallele Motorlage.

Die Klemmschraube (G) festziehen.

7.10 Keilriemen-Wechsel:

Die Stromzufuhr durch Ziehen des Netzsteckers trennen.

Den Plastik-Riemenschutz (F) abschrauben.

Entfernen Sie das Kegelrad (I, Fig 25) und lösen Sie den Stellring (K).

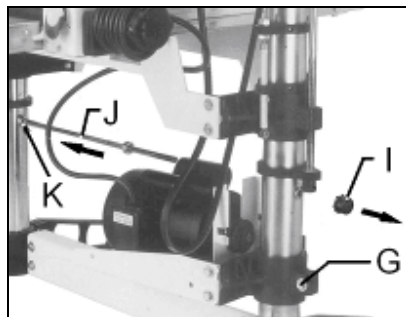


Fig 25

Schieben Sie die Transmissionswelle (J) nach links.

Lösen Sie die Klemmschraube (G) und heben Sie den Motor an.

Montieren und spannen Sie den neuen Riemen allein durch das Motorgewicht. Achten Sie auf achsparallele Motorlage.

Die Klemmschraube (G) festziehen.

Transmissionswelle, Kegelrad und Stellring wieder montieren.

Den Riemenschutz (F) montieren.

8. Wartung und Inspektion

Allgemeine Hinweise:

Vor Wartungs-, Reinigungs- und Reparaturarbeiten muss die Maschine gegen Inbetriebnahme gesichert werden.

Netzstecker ziehen!

Kontrollieren Sie die Bürste regelmäßig auf Fehler. Tauschen Sie eine schadhafte Bürste sofort aus.

Kontrollieren Sie in regelmäßigen Abständen den korrekten Bandlauf des Vorschubbandes.

Schmieren Sie monatlich alle bewegten Teile, wie Gewindespindeln, Scheiben und Lagerbüchsen.

Reinigen Sie die Maschine in regelmäßigen Zeitabständen.

Prüfen Sie täglich die ausreichende Funktion der Absaugung.

Beschädigte Sicherheitseinrichtungen sofort ersetzen.

Sämtliche Schutzeinrichtungen sofort wieder anbringen.

Anschlüsse und Reparaturen der elektrischen Ausrüstung dürfen nur von einer Elektrofachkraft durchgeführt werden.

9. Störungsabhilfe

Motor startet nicht

*Kein Strom-Netzsicherung prüfen.

*Motor, Schalter oder Kabel defekt-Elektrofachkraft kontaktieren.

Vorschubband stoppt

*Unzureichende Bandspannung-Band nachspannen.

*Antriebskupplung hat sich gelöst-Abflachungen ausrichten und die Gewindestifte festziehen.

Werkstück rutscht am Band-

*Verschmutztes oder verschlissenes Vorschubband-Vorschubband erneuern.

Starke Maschinenvibrationen

*Maschine steht uneben-Ausgleich schaffen.

Werkstückoberfläche verbrannt

*Zustellung zu groß geringere Spanabnahme wählen

*Vorschub zu langsam-Vorschubgeschwindigkeit erhöhen.

Ungleichmäßiges Bürstbild

*Ungleichmäßiger Vorschub-Vorschubband rutscht (siehe oben).

*Schlechte Bürstenausrichtung-Bürste parallel zum Tisch ausrichten.

*Maschinenvibration (siehe oben).

10. Umweltschutz

Schützen Sie die Umwelt!

Ihr Gerät enthält mehrere unterschiedliche, wiederverwertbare Werkstoffe.

Bitte entsorgen Sie es nur an einer spezialisierten Entsorgungsstelle.

11. Lieferbares Zubehör

Artikel Nummer 60-6004
Drahtbürste

Artikel Nummer 60-6005
Bürste mit 46 Körnung

Artikel Nummer 60-6001
Bürste mit 80 Körnung.

Artikel Nummer 60-6002
Bürste mit 120 Körnung.

Artikel Nummer 60-6003
Bürste mit 240 Körnung.

Artikel Nummer 60-0321-P
Vorschubband 100 Körnung.

FR - FRANCAIS

Mode d'emploi

Cher client,

Nous vous remercions de la confiance que vous nous portez avec l'achat de votre nouvelle machine JET. Ce manuel a été préparé pour l'opérateur de la **brosseuse JBS-22**. Son but, mis à part le fonctionnement de la machine, est de contribuer à la sécurité par l'application des procédés corrects d'utilisation et de maintenance. Avant de mettre l'appareil en marche, lire les consignes de sécurité et de maintenance dans leur intégralité. Pour obtenir une longévité et fiabilité maximales de votre brosseuse, et pour contribuer à l'usage sûr de la machine, veuillez lire attentivement ce mode d'emploi et en suivre les instructions.

Table des Matières

1. Déclaration de conformité

2. Prestations de garantie

3. Sécurité

Utilisation conforme
Consignes de sécurité
Risques

4. Spécifications

Indications techniques
Dimensions des pièces à usiner
Emission de bruit
Contenu de la livraison
Description de la machine

5. Transport et montage

Transport
Montage
Raccordement au réseau électr.
Racc. au collecteur de poussières
Mise en exploitation

6. Fonctionnement de la machine

7. Réglages

Choix de la brosse
Changement de la brosse
Positionnement de la brosse
Dégauchir et aiguiser la brosse
Réglage des convoyeurs
Réglage du tapis
Guides latéraux des convoyeurs
Changement de tapis
Tension de la courroie
Changement de la courroie

8. Entretien et inspection

9. Détecteur de pannes

10. Protection de l'environnement

11. Accessoires

1. Déclaration de conformité

Par le présent et sous notre responsabilité exclusive, nous déclarons que ce produit satisfait aux normes conformément aux lignes directrices indiquées page 2.

2. Prestations de garantie

Le vendeur garantit que le produit livré est exempt de défauts de matériel et de fabrication. La présente garantie ne s'applique pas aux défauts résultant d'une utilisation directe ou indirecte incorrecte, de l'inattention, d'un accident, d'une réparation, d'une maintenance ou d'un nettoyage insuffisant, ou encore de l'usure normale.

Il est possible de faire valoir des prétentions en garantie dans les 12 mois suivant la date de la vente (date de la facture). Toute autre prétention est exclue.

La présente garantie comprend toutes les obligations de garantie incombant au vendeur et remplace toutes les déclarations et conventions antérieures en termes de garanties.

Le délai de garantie s'applique pour une durée d'exploitation de huit heures par jour. Au-delà, le délai de garantie diminue proportionnellement au dépassement, mais pas en deçà de trois mois.

Le renvoi d'une marchandise faisant l'objet d'une réclamation requiert l'accord préalable exprès du vendeur et s'effectue aux frais et aux risques de l'acheteur.

Les prestations de garantie détaillées figurent dans les Conditions générales (CG). Ces dernières sont disponibles sur www.jettools.com ou peuvent être envoyées par la poste sur demande.

Le vendeur se réserve le droit de modifier à tout moment le produit et les accessoires.

3. Sécurité

3.1 Utilisation conforme

Cette brosseuse convient au brossage du bois et des dérivés du bois. Le travail d'autres matériaux est interdit et ne peut être effectué que dans des cas spéciaux et après accord du fabricant de la machine.

La machine n'est pas conçue pour un brossage à l'eau.

La pièce doit pouvoir être posée et guidée sans problème.

L'utilisation conforme implique le strict respect des instructions de service et de maintenance indiquées dans ce manuel.

La machine doit être exclusivement utilisée par des personnes familiarisées avec le fonctionnement, la maintenance et la remise en état, et qui sont informées des dangers correspondants.

L'âge minimum requis par la loi est à respecter.

La machine ne doit être utilisée que si elle est en parfait état.

N'utiliser la machine que si tous les dispositifs de sécurité et de protection sont en place.

En plus des directives de sécurité contenues dans ce mode d'emploi et des consignes de sécurité en vigueur dans votre pays, il faut respecter les règles générales concernant l'utilisation des machines pour le travail du bois.

Toute utilisation sortant de ce cadre est considérée comme non-conforme et le fabricant décline toute responsabilité, qui est dans ce cas rejetée exclusivement sur l'utilisateur.

3.2 Consignes de sécurité

L'usage non conforme des machines servant au travail du bois peut être très dangereux. C'est pourquoi vous devez lire attentivement ce mode d'emploi avant de monter ou d'utiliser votre appareil.

Conserver à proximité de la machine tous les documents fournis avec l'outillage (dans une pochette en plastique, à l'abri de la poussière, de l'huile et de l'humidité) et veiller à joindre cette documentation si vous cédez l'appareil.

Ne pas effectuer de modification à la machine. Utiliser les accessoires recommandés, des accessoires incorrects peuvent être dangereux.

Contrôler chaque jour avant d'utiliser la machine, les dispositifs de protection et le fonctionnement impeccable.

En cas de défauts à la machine ou aux dispositifs de protection avertir les personnes compétentes et ne pas utiliser la machine. Déconnecter la machine du réseau.

Avant de mettre la machine en marche, retirer cravate, bagues, montre ou autres bijoux et retrousser les manches jusqu'aux coudes. Enlever tous vêtements flottants et nouer les cheveux longs.

Porter des chaussures de sécurité, surtout pas de tenue de loisirs ou de sandales.

Porter des équipements de sécurité personnels pour travailler à la machine :

- des lunettes protectrices,
- une protection acoustique
- une masque anti-poussières.

Ne pas porter de gants.

Ne pas enlever les pièces usinées avant que la machine ne soit à l'arrêt.

Placer la machine de sorte à laisser un espace suffisant pour la manoeuvre et le guidage des pièces à usiner.

Veiller à un éclairage suffisant.

Effectuer le montage de la machine dans un local fermé, placer la machine sur un sol stable et plat.

S'assurer que le câble d'alimentation ne gêne pas le travail ni ne risque de faire trébucher l'opérateur.

Conserver le sol autour de la machine propre, sans déchets, huile ou graisse.

Prêter grande attention à votre travail et rester concentré.

Eviter toute position corporelle anormale.

Veiller à une position stable et garder un bon équilibre à tout moment.

Ne pas travailler sous l'influence de drogues, d'alcool ou de médicaments.

Ne jamais mettre la main dans la machine pendant le travail.

Ne jamais laisser la machine en marche sans surveillance.

Arrêter la machine avant de quitter la zone de travail.

Eloigner de la machine toutes personnes incompetentes, surtout les enfants.

Ne pas mettre la machine à proximité de liquides ou de gaz inflammables.

Tenir compte des possibilités de prévention et de lutte contre les incendies, par ex. lieu et utilisation des extincteurs.

Préserver la machine de l'humidité et ne jamais l'exposer à la pluie.

La poussière de bois est explosive et peut être nocive pour la santé.

Les poussières de certains bois exotiques et de bois durs, tels que le hêtre et le chêne sont classées comme étant cancérigènes.

Utiliser un collecteur de poussières afin d'éviter une production de poussières trop élevée.

Retirer les clous et autres corps étrangers de la pièce avant de débiter l'usinage.

Ne jamais mettre la machine en service sans les dispositifs de protection – risque de blessures graves!

En conduisant et retirant les pièces, ne jamais mettre les mains dans la machine en marche.

Utiliser une plaque coulissante (poussoir), pour usiner les petites pièces. Les pièces doivent avoir une longueur min. de 125 mm.

N'usiner que des pièces qui peuvent bien être posées sur la table.

Se tenir aux spécifications concernant la dimension maximale ou minimale de la pièce à usiner.

Ne jamais travailler plus de deux pièces à la fois.

Ne pas se mettre sur la machine.

Tous travaux de branchement et de réparation sur l'installation électrique doivent être exécutés uniquement par un électricien qualifié.

Remplacer immédiatement tout câble endommagé ou usé.

Remplacer toute brosse endommagée ou usée.

Faire tous les travaux de réglage ou de maintenance seulement après avoir débranché la machine du réseau.

3.3 Risques

Même en respectant les directives et les consignes de sécurité les risques suivants existent:

Danger de blessures par brosse en rotation.

Danger d'entraînement par le convoyeur automatique.

Danger d'écrasement par sortie automatique des pièces usinées.

Danger de pièces éjectées.

Risque de nuisances par poussières de bois, copeaux et bruit.

Porter des équipements de sécurité personnels tels que lunettes, cache-visage pour travailler à la machine. Utiliser un collecteur de poussières!

Risque de blessures par brosse endommagée.

Danger par câble électrique endommagé, usé ou mal branché.

4. Spécifications

4.1 Indications techniques

Diamètre de brosse	Ø 127mm
Vitesse de rotation	1400 T/min
Vitesse de brosse	9 m/sec

Largeur max. de brosse	515 (1030) mm
------------------------	---------------

Avance réglable continue 0 – 3 m/min

Buse d'aspiration.	Ø 100mm
Volume d'air à 20 m/sec	560m³/h

Dimensions de la machine (Lxlxh)	1040x1040x1320mm
Poids net	155 kg

Voltage 230V ~1/N/PE 50Hz
 Puissance moteur 2,2 kW (3 CV) S1
 Courant électrique 14 A
 Raccordement (H07RN-F): 3x1,5mm²
 Fusible du secteur électr. 16A

4.2 Dimensions des pièces à usiner

Epaisseur 2 – 100 mm
 Longueur min. 125 mm

4.3 Emission de bruit

Niveau de pression sonore
 (selon EN ISO 11202):
 Marche à vide LpA 71,6 dB(A)
 Usinage LpA 84,9 dB(A)

Les indications données sont des niveaux de bruit et ne sont pas forcément les niveaux pour un travail sûr.

Ainsi l'utilisateur peut estimer les dangers et les risques possibles.

4.4 Contenu de la livraison

Accessoires pour le montage (A-L)
 2 Modules de réglage de brosse (M)
 Unité de brosse (N)
 2 Ancrages gauches de table (S)
 2 Ancrages droits de table (T)
 Tapis (O)
 Poignée de manivelle (P)
 Manivelle de hauteur (Q)
 2 Rallonges de table (U)
 2 Clés à fourche (V)
 2 Clés pour vis à six pans creux (X)
 4 Pieds (R)
 4 Roues directrices (W)
 2 Plaques de montage (Z)
 Mode d'emploi
 Liste pièces de rechange



Fig 1

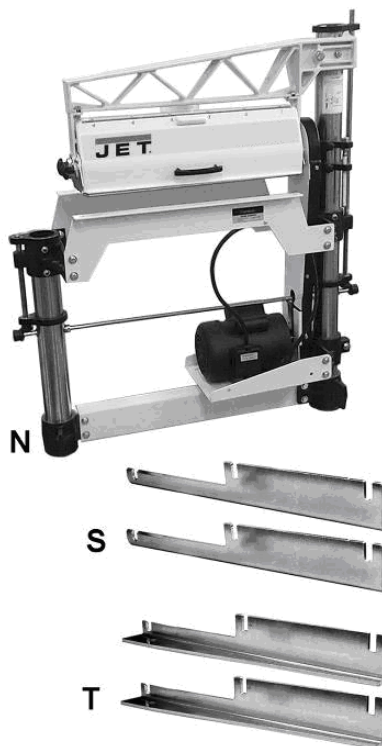


Fig 2

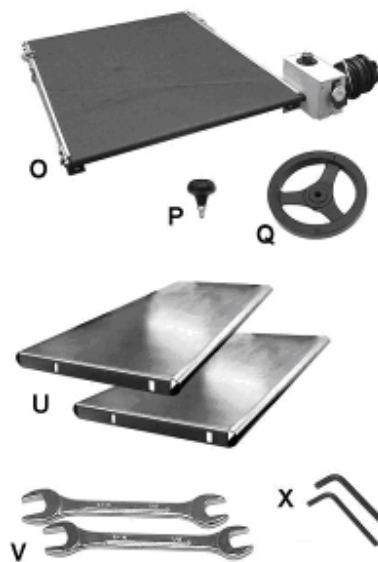


Fig 3

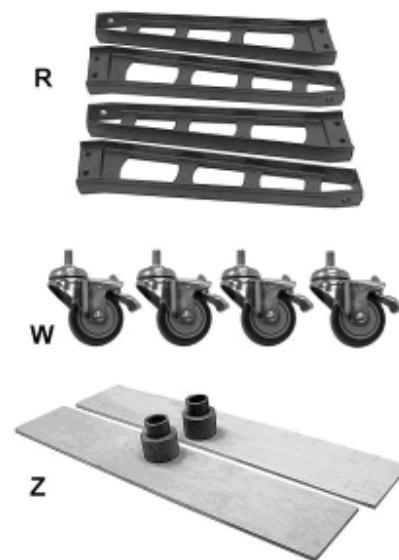


Fig 4

4.5 Description de la machine

A....Couvercle d'aspiration
 B....Bras porteur
 C....Interrupteur de marche/arrêt
 D....Indicateur numérique de hauteur
 E....Commande de l'entraînement
 F....cache-courroie
 G....Support du moteur
 H....Moteur

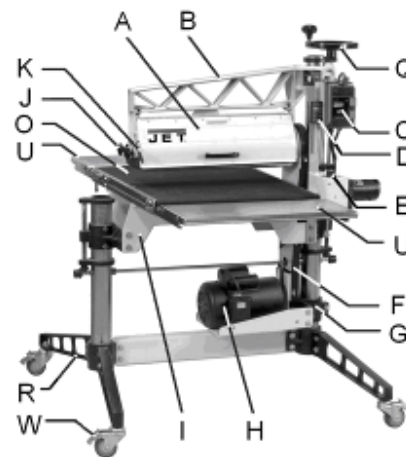


Fig 5

I....Support de table
 J....Ancrage du palier
 K....Levier de réglage de la brosse
 O....Tapis d'entraînement
 Q....Manivelle de réglage de hauteur
 R....Pieds
 U....Rallonges de table
 W....Roues directrices

5. Transport et mise en exploitation

5.1. Transport

Effectuer le montage de la machine dans un local fermé ou un atelier respectant les conditions de menuiserie.

Placer la machine sur une surface stable et plane.

La machine est livrée avec 4 roues directrices munies de freins, elle peut aussi être fixée à la surface.

5.2 Montage

Avertir immédiatement JET si vous constatez des pièces endommagées par le transport et ne pas monter la machine.

Éliminer l'emballage dans le respect de l'environnement.

Enlever la protection antirouille avec un dissolvant.

Pour des raisons techniques d'emballage la machine n'est pas complètement montée à la livraison.

Montage des pieds:

Attention

L'unité de brosse est lourde (150 kg)! Veiller à la capacité suffisante et au parfait état de l'engin de levage. Ne jamais se placer sous la machine en suspens.

Utiliser un chariot gerbeur ou un engin de levage pour soulever l'unité de brosse.

Poser l'unité de brosse avec précaution sur les plaques de montage (Z, Fig 6).

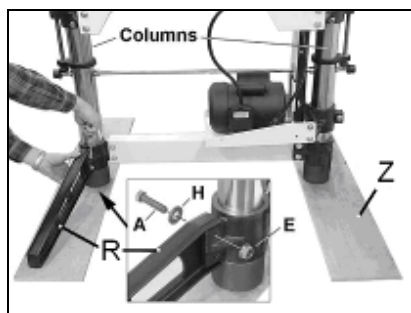


Fig 6

Fixer les 4 pieds (R) avec des vis et des écrous.

Soulever l'unité de brosse et retirer les plaques de montage.

Monter les 4 roues (W, Fig 7).

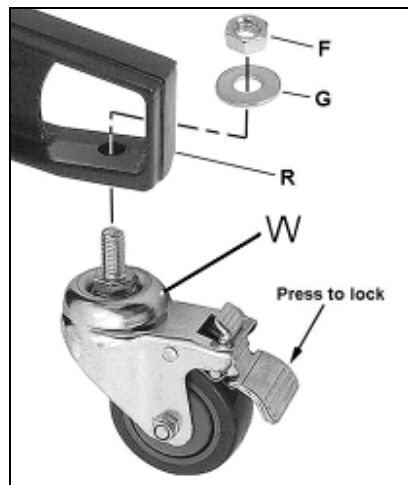


Fig 7

Réglage de la glissière de colonne:

Attention:

Les tiges filetées (N, Fig 8) ne sont bloquées que pour le transport.

Avant d'utiliser le volant de hauteur, il faut absolument débloquer les 4 tiges filetées et les régler correctement.

Sinon, on risque de détériorer le mécanisme de réglage de hauteur.

Desserrer les 4 contre-écrous et les 4 tiges filetées (N, Fig 8).

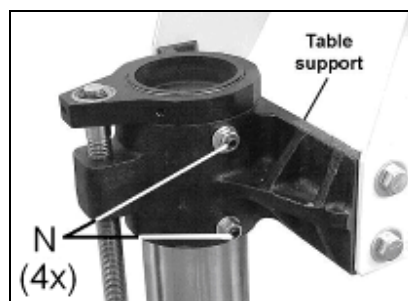


Fig 8

Positionner les tiges filetées de façon à ce qu'elles touchent légèrement la colonne cylindrique, mais qu'elle ne la bloque pas.

Montage du volant de hauteur:

Monter le volant de hauteur (Q, Fig 9) avec deux tiges filetées (R).

Une clé pour vis à six pans creux de 4 mm est jointe à la livraison.

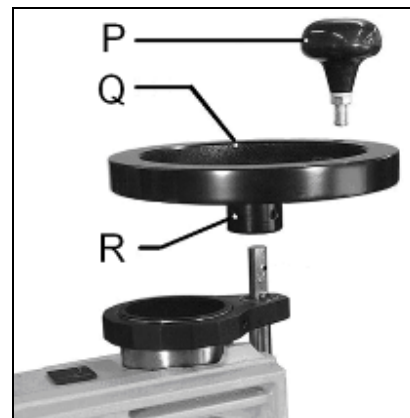


Fig 9

Montage de la table de convoyeur:

Rabaisser au maximum les supports de table (tourner la manivelle dans le sens inverse des aiguilles d'une montre).

Relever le tapis (O, Fig 19) sur les supports de table.

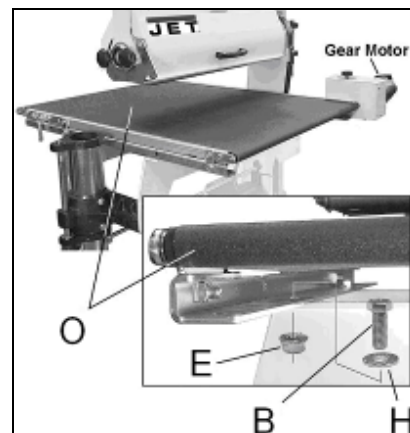


Fig 10

Fixer le tapis avec 4 vis hexagonales, des rondelles et des écrous.

Relier le câble du moteur avec le boîtier de commande (Fig 11).

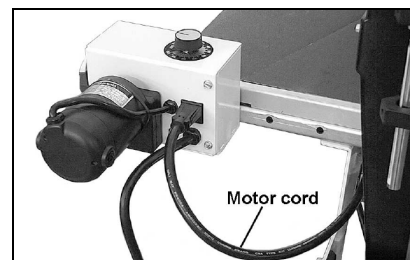


Fig 11

Attention:
Le tapis a été sur-tendu pour le transport. Régler la tension correcte (voir chapitre 7.5) avant d'utiliser la machine.

Montage des rallonges de table:
Retirer la vis hexagonale (C, Fig 9) du rail.

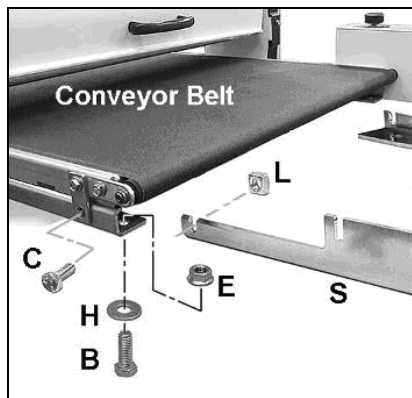


Fig 9

Introduire les équerres d'ancrage (S, T, Fig 10) dans le rail et les fixer avec des vis et des écrous.

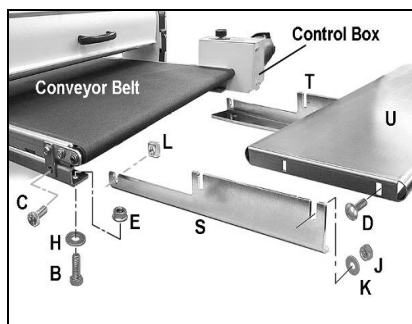


Fig 10

Remarque:
Pour le montage de l'équerre d'ancrage droite (T) il faut retirer la plaque inférieure du boîtier de commande.

Monter les rallonges de table (U).

Positionner les rallonges au même niveau ou légèrement en dessous du tapis.
Pour cela utiliser une règle de contrôle ou un bout de bois droit (Fig 11).

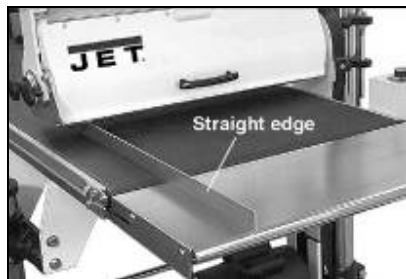


Fig 11

Calibrage de la graduation de hauteur:

Abaisser le support (CC, Fig 12) jusqu'au support de la table (EE).

Tourner la manivelle pour faire remonter le tapis jusqu'à ce qu'il touche la brosse.

Desserrer la vis moletée (DD) et la bloquer aussi fort pour que la graduation indique "0".

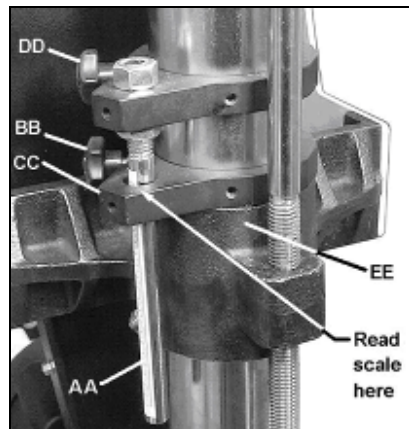


Fig 12

Remarque:
La graduation de hauteur peut aussi être utilisée comme limite supérieure de levage (par exemple pour éviter le broissage dans l'intérieur du tapis).

5.3 Raccordement au réseau électr.

Le raccordement ainsi que les rallonges utilisées doivent correspondre aux instructions.

Le voltage et la fréquence doivent être conformes aux données inscrites sur la machine.

Le fusible de secteur électrique doit avoir 16A.

Pour le raccordement utiliser des câbles H07RN-F.

Tous travaux de branchement et de réparation sur l'installation électrique doivent être exécutés uniquement par un électricien qualifié.

5.4 Raccordement au collecteur de poussières

Avant la mise en exploitation connecter la machine à un collecteur de poussières de manière à ce que le collecteur se mette en marche automatiquement avec votre brosseuse.

Vitesse minimale de l'aspiration à la buse 20 m/s.
N'utiliser que des tuyaux d'aspiration de la qualité „difficilement inflammable“ et intégrer les tuyaux dans la mise à la terre de la machine.

5.5 Mise en exploitation

Mettre la machine en route avec le bouton vert sur l'unité de commande (C, Fig 13). Arrêter la machine avec le bouton rouge.

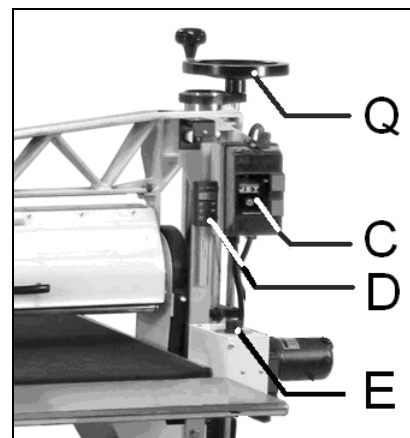


Fig 13

Le bouton rotatif (E) met le convoyeur en route et règle la vitesse d'avance de 0 – 100% (0 – 3 m/min)

Ajuster la brosse avec la manivelle (Q) pour le réglage de la hauteur au niveau de l'enlèvement souhaité des copeaux.

L'affichage digital (D) de la hauteur indique l'épaisseur d'enlèvement des copeaux choisie.

6. Fonctionnement de la machine

Position de travail:
Pour passer une pièce dans la machine, se positionner décalé sur le côté de l'entrée du convoyeur.

Manoeuvre des pièces:

Acheminement des pièces à usiner par le convoyeur automatique en sens inverse de la rotation de la brosse.

Le bout le plus épais de la pièce passe d'abord dans la machine, le côté creux vers le bas.

Ne pas travailler de pièces trop voilées ou tordues ou dont l'épaisseur varie trop.

Ne pas usiner de pièces plus courtes que 125 mm.

Mettre au max. 2 pièces en même temps. Les positionner aux deux extrémités de la brosse.

Poser les pièces très longues sur un support roulant.

Déroulement du travail:

Régler l'enlèvement souhaité des copeaux

Mettre en marche l'unité de brossage

Démarrer le convoyeur et régler la vitesse d'avance.

Mettre le collecteur de poussières en marche.

Acheminer la pièce

Attention:

Garder toujours suffisamment de distance à la brosse.

Ne jamais mettre les doigts dessous la brosse.

Conseils:

Les brosses en nylon se cassent en cas de torsion trop importante.

Pour éviter de casser les brosses, ne pas choisir une épaisseur de copeaux supérieure à 1 mm.

La longévité des brosses est supérieure quand on travaille avec des épaisseurs de copeaux moindres.

L'enlèvement des copeaux est meilleur en faisant plusieurs passages avec une profondeur de passe moindre et une vitesse d'avance plus rapide.

Le réglage de la profondeur de passe nécessite de l'expérience et dépend surtout du grain de la brosse, de la vitesse d'avance et du type de bois.

Arrêter la machine, si vous ne continuez pas votre travail.

Sand Smart:

La brosseuse JBS-22 est équipée d'un système automatique de réduction de l'entraînement (Sand Smart) afin d'éviter la surcharge du moteur.

Quand le moteur a atteint sa limite de puissance, la DEL rouge s'allume et la réduction automatique de l'entraînement commence.

Important:

La réduction de la vitesse d'entraînement élève le risque de brûlures.

On obtient un meilleur résultat avec une vitesse d'entraînement élevée et un enlèvement plus faible.

Indicateur numérique de hauteur:

L'indicateur numérique de hauteur (Fig 14) est une aide efficace pour régler avec précision l'épaisseur d'enlèvement des copeaux.

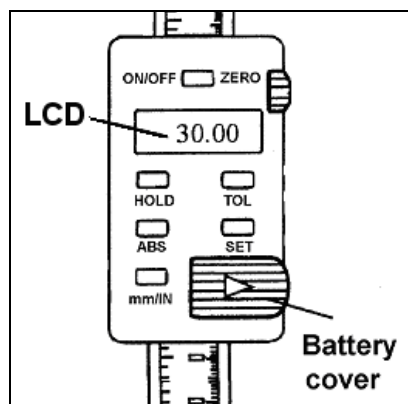


Fig 14

Comme pile, utiliser une pile bouton de 1,5V (SR44 ou G-13A).

Pour changer la pile, faire glisser le couvercle.

Le pôle + se trouve en haut.

Mise en marche et arrêt (ON/OFF):

Pour mettre la machine en marche, appuyer sur la touche ON/OFF.

Pour arrêter la machine, appuyer pendant 3 secondes sur la touche ON/OFF.

Affichage incrémental des valeurs (INC):

Il est utilisé pour indiquer l'épaisseur d'enlèvement des copeaux.

Appuyer sur la touche ABS, jusqu'à ce "INC" s'affiche.

Remise à zéro de l'afficheur (zéro):

Appuyer sur la touche ON/OFF pour remettre l'afficheur à zéro.

Affichage des valeurs absolues

(ABS):

Cette fonction s'utilise très peu sur la brosseuse.

Calibrage de la valeur absolue:

Brosser une pièce et en mesurer l'épaisseur.

Sans changer la hauteur de la table, appuyer sur la touche SET à l'indication "SET" clignote.

Appuyer ensuite sur la touche SET jusqu'à ce que le chiffre décimal souhaité clignote.

Appuyer sur la touche SET (1 seconde au maximum) à chaque pression, le chiffre augmente d'une unité.

A la fin, appuyer alors sur la touche SET jusqu'à ce que l'indication „SET“ clignote.

Appuyer encore une fois sur la touche SET (1 seconde au maximum) à l'affichage „SET“ disparaît et la valeur qui vient d'être choisie est prise en compte dans l'afficheur à cristaux liquides (afficheur LCD).

Mémoire temporaire (HOLD):

La touche HOLD est utilisée pour mémoriser une valeur importante de l'afficheur LCD afin de la réutiliser ultérieurement comme valeur de référence.

A utiliser par ex quand une opération de brossage a été interrompue avant d'être terminée.

Appuyer sur la touche HOLD à la mesure actuelle de l'afficheur LCD reste (se fige).

Appuyer à nouveau sur la touche HOLD pour revenir à l'affichage normal.

Limitation du levage (TOL):

Cette fonction n'a pas d'application sur la brosseuse.

7. Réglages

Attention

Faire tous les travaux de maintenance ou de réglage après avoir débranché la machine du réseau.

7.1 Choix de la brosse

Le choix de la brosse adéquate est important pour l'optimisation du résultat de brossage.

La machine est livrée avec une brosse de granulation 80.

C'est cette granulation qui fournit les meilleurs résultats dans la majorité des cas.

Nous vous proposons en option des brosses de différentes granulations.

7.2 Changement de la brosse

Déconnecter la machine du réseau en retirant la prise électrique.

Retirer le couvercle d'aspiration (Q, Fig 15) afin de faciliter l'accès. Refermer à moitié le couvercle d'aspiration et le mettre à l'arrière.

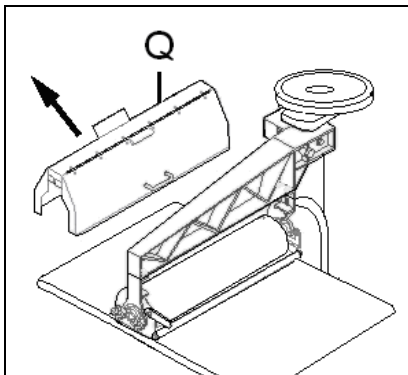


Fig 15

Avec la manivelle, faire remonter complètement le tapis (O, Fig 16) et s'en servir pour soutenir l'unité de brosse (M).

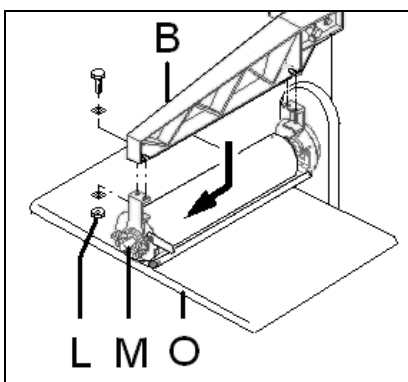


Fig 16

Desserrer les 4 vis et les écrous (L) et dévisser l'unité de brosse de son bras porteur.

Rabaisser le tapis d'environ 30 mm, ainsi la courroie se détend.

Pousser l'unité de brosse vers la gauche et retirer la courroie de sa poulie.

Desserrer les 2 tiges filetées (P, Fig 17) et retirer la poulie.

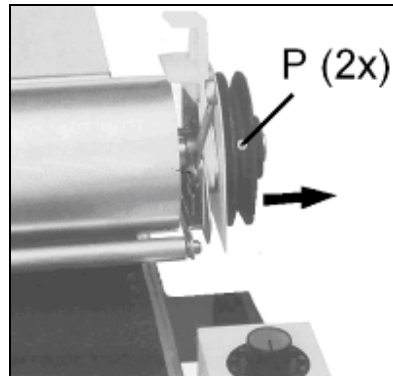


Fig 17

Desserrer les 2 tiges filetées (Y, Fig 18) de la bague intérieure du palier et dégager de part et d'autre les unités complètes du palier.

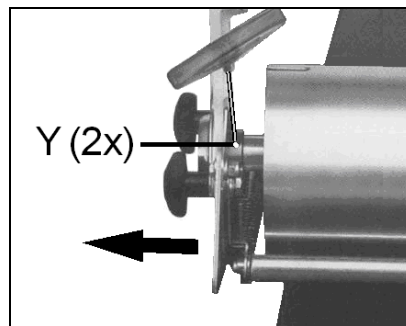


Fig 18

Changer la brosse.

Le montage de la brosse s'effectue en sens inverse :

- Montage des 2 unités de palier - (Montage des convoyeurs)!
- Montage de la poulie à courroie
- Positionnement de la courroie
- Relèvement du tapis (tension de la courroie)
- Blocage de l'unité de brosse sur son bras porteur.
- Montage du couvercle d'aspiration
- Vérifier la bonne rotation de la brosse et des convoyeurs.
- Vérifier que toutes les vis soient bien serrées.
- Démarrer la machine avec précaution.

7.3 Positionnement de la brosse

Au départ usine, la brosse est positionnée parallèlement au tapis.

Le logement gauche de la brosse peut être réglé en hauteur (Fig 19).

Pour le brossage en deux passages de pièces larges, le positionnement exact de la brosse est extrêmement important. L'extrémité libre de la brosse doit être parallèle ou légèrement surélevé.

Réglage de précision du positionnement de la brosse :

Déconnecter la machine du réseau en retirant la prise de courant.

Desserrer légèrement les 2 poignées étoiles (X, Fig 19) et soulever l'extrémité libre du tambour à l'aide du levier excentré (Y).

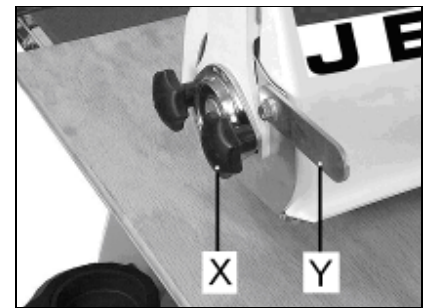


Fig 19

Rebloquer la poignée étoile.

7.4 Dégauchir et aiguiser la brosse

Les brosses en nylon peuvent être dégauchies et aiguisées cylindriquement à la machine... pour compenser l'usure irrégulière de la brosse, ou bien pour libérer une nouvelle granulation.

Directive d'aiguisage:

Fixer (agrafer) la bande abrasive de granulation 60 en travers une planche de bois plate.

Régler de manière à ce que les pointes de la brosse touchent la bande abrasive sur 0,5 mm environ.

Faire passer la planche recouverte de bande abrasive dans la machine à 50% de la vitesse d'entraînement, jusqu'à ce que la brosse soit de nouveau cylindrique et bien aiguisée.

7.5 Réglage des convoyeurs

La pression d'appui et la hauteur des convoyeurs sont préréglées au départ usine.

Il est très facile de régler la pression d'appui par les ressorts (F, Fig 20).

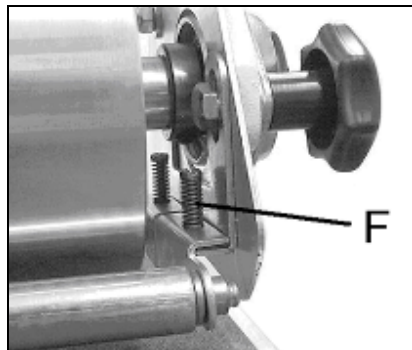


Fig 20

Remarque:

Si la pression d'appui des convoyeurs est trop faible (ou si les convoyeurs sont positionnés trop haut) il peut y avoir un retour de pièce et celle-ci peut passer à travers.

Si la pression d'appui des convoyeurs est trop forte il peut y avoir des irrégularités sur la pièce.

7.6 Réglage du tapis

Avec les écrous de réglage (Z, Fig 21) ajuster la tension des deux côtés du tapis.

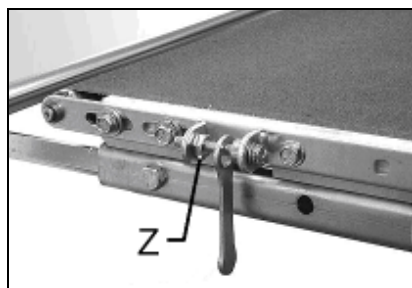


Fig 21

Attention:

Ne pas trop tendre le tapis!

La bande d'entraînement est tendue correctement quand on peut encore arrêter le tapis en y appuyant dessus.

Si la tension de la bande est trop haute, un problème de déviation peut se produire (Les éléments de guidage en céramique sont trop sollicités).

Si la tension du tapis n'est pas suffisante, le rouleau d'entraînement peut patiner pendant l'utilisation.

7.7 Guides latéraux des convoyeurs

Les guides (éléments en céramique, Fig 22) du tapis au-dessous des convoyeurs facilitent le réglage du tapis.

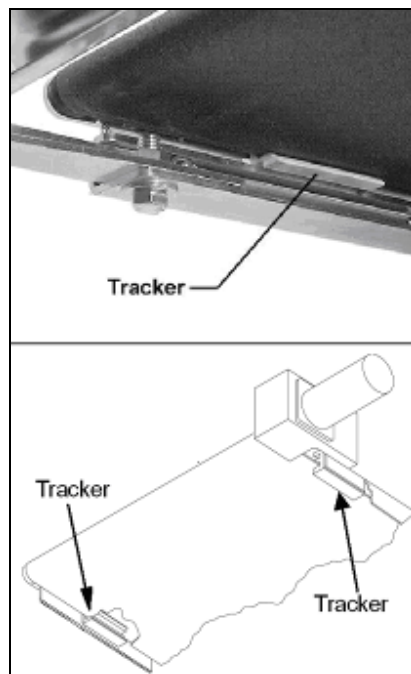


Fig 22

Les éléments en céramique sont sujets à l'usure et doivent, au besoin être retournés, ou le cas échéant être changés.

Kit de guides (2 guides):
article Jet N°: 98-0080

Remarque:

Pendant la phase de mise en route, le processus d'usure est plus important, il laisse des traces blanches sur le tapis d'entraînement.

Ceci n'a pas d'effets négatifs sur le fonctionnement de la machine.

Pendant la phase de mise en route, veiller à ce que la tension de la bande soit aussi faible que possible.

Remarque

Avec une règle contrôler que le tapis d'entraînement soit bien plat, celui-ci ne doit pas gondoler. ... résoudre le problème (par ex. la machine n'est pas posée à plat).

Avec une règle, contrôler le parallélisme des convoyeurs au tapis (Fig 23).



Fig 23

En cas de déviation, retirer la tôle latérale et ajuster vers le haut.

7.8 Changement de tapis

Déconnecter la machine du réseau.

Déconnecter le câble du moteur de l'appareil de commande.

Relâcher la tension du tapis.

Enlever les quatre vis borgnes qui fixent le convoyeur au socle.

Retirer le convoyeur de la machine.

Enlever le tapis.

Faire le montage du nouveau tapis en suivant ces indications en sens inverse.

7.9 Tension de la courroie

Déconnecter la machine du réseau en retirant la prise électrique.

Desserrer la vis de blocage (G, Fig 24) au support du moteur.

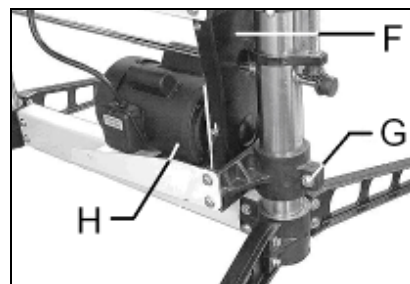


Fig 24

Tendre la courroie seulement par le poids du moteur.

Veiller au parallélisme de l'axe de position du moteur.

Resserrer la vis de blocage (G).

7.10 Changement de courroie

Déconnecter la machine du réseau en retirant la prise électrique.

Dévisser le cache-courroie en matière plastique (F).

Retirer la roue conique (I, Fig 25) et desserrer l'anneau de réglage (K).

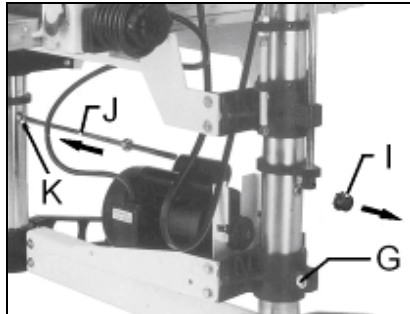


Fig 25

Déplacer l'arbre de renvoi (J) sur la gauche

Dévisser la vis de blocage (G) et relever le moteur.

Monter et tendre la nouvelle courroie seulement par le poids du moteur. Veiller au parallélisme de l'axe de position du moteur.

Resserrer la vis de blocage (G).

Remonter l'arbre de renvoi, la roue conique et l'anneau de réglage.

Remonter le cache-courroie (F).

8. Entretien et inspection

Attention

Faire tous les travaux de maintenance, réglage ou nettoyage après avoir débranché la machine du réseau!

Contrôler régulièrement la brosse. Remplacer immédiatement toute brosse déchirée ou usée.

Contrôler régulièrement le réglage du tapis.

Graisser mensuellement les pièces flexibles, comme les tiges, rondelles plates et coussinets.

Nettoyer la machine régulièrement.

Vérifier chaque jour le fonctionnement impeccable du collecteur de poussières.

Remplacer immédiatement toutes pièces endommagées ou usées.

Réinstaller immédiatement les dispositifs de protection.

Tous travaux de branchement et de réparation sur l'installation électrique doivent être exécutés uniquement par un électricien qualifié.

9. Détecteur de pannes

Moteur ne se met pas en route

*Pas de courant-
Vérifier le voltage.

*Défaut au moteur, bouton ou câble-
Contacter un électricien qualifié.

Tapis ne tourne pas

*Tension du tapis insuffisante-
Ajuster la tension du tapis.

*Coupleur de l'entraînement desserré-
Régler les aplatissements et resserrer les tiges filetées.

Pièce glisse sur le tapis-

*Tapis usé ou sali-
Remplacer le tapis.

Vibration violente de la machine

*La machine n'est pas sur un sol plat-
Repositionner la machine.

Brûlures à la surface des pièces

*Avance trop rapide
Choisir un enlèvement plus faible des copeaux

*Avance pas assez rapide-
Augmenter la vitesse.

Résultat de brossage irrégulier

*Avance irrégulière-
Tapis glisse (voir ci-dessus).

*Mauvais alignement de la brosse
Positionner la brosse parallèlement à la table.

*Vibration de la machine (voir ci-dessus).

10. Protection de l'environnement

Protégez l'environnement !

Votre appareil comprend plusieurs matières premières différentes et recyclables. Pour éliminer l'appareil usagé, veuillez l'apporter dans un centre spécialisé de recyclage des appareils électriques.

11. Accessoires

Article 60-6004

Brosse métallique

Article 60-6005

Brosse de granulation 46.

Article 60-6001

Brosse de granulation 80.

Article 60-6002

Brosse de granulation 120.

Article 60-6003

Brosse de granulation 240.

Article 60-0321-P

Tapis d'avance de granulation 100.